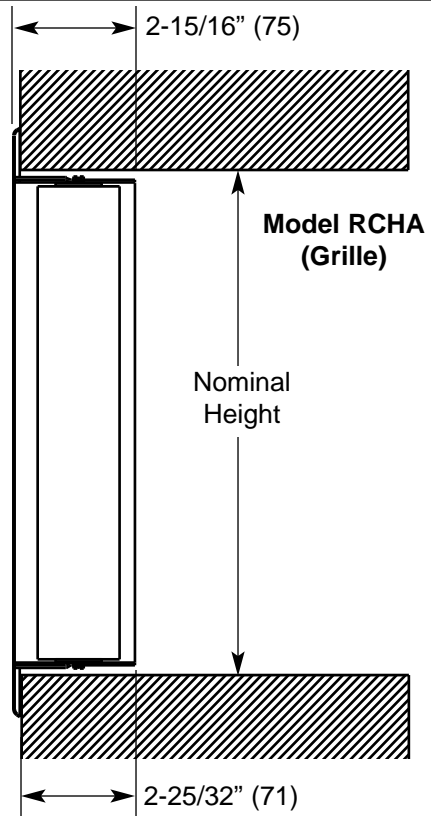
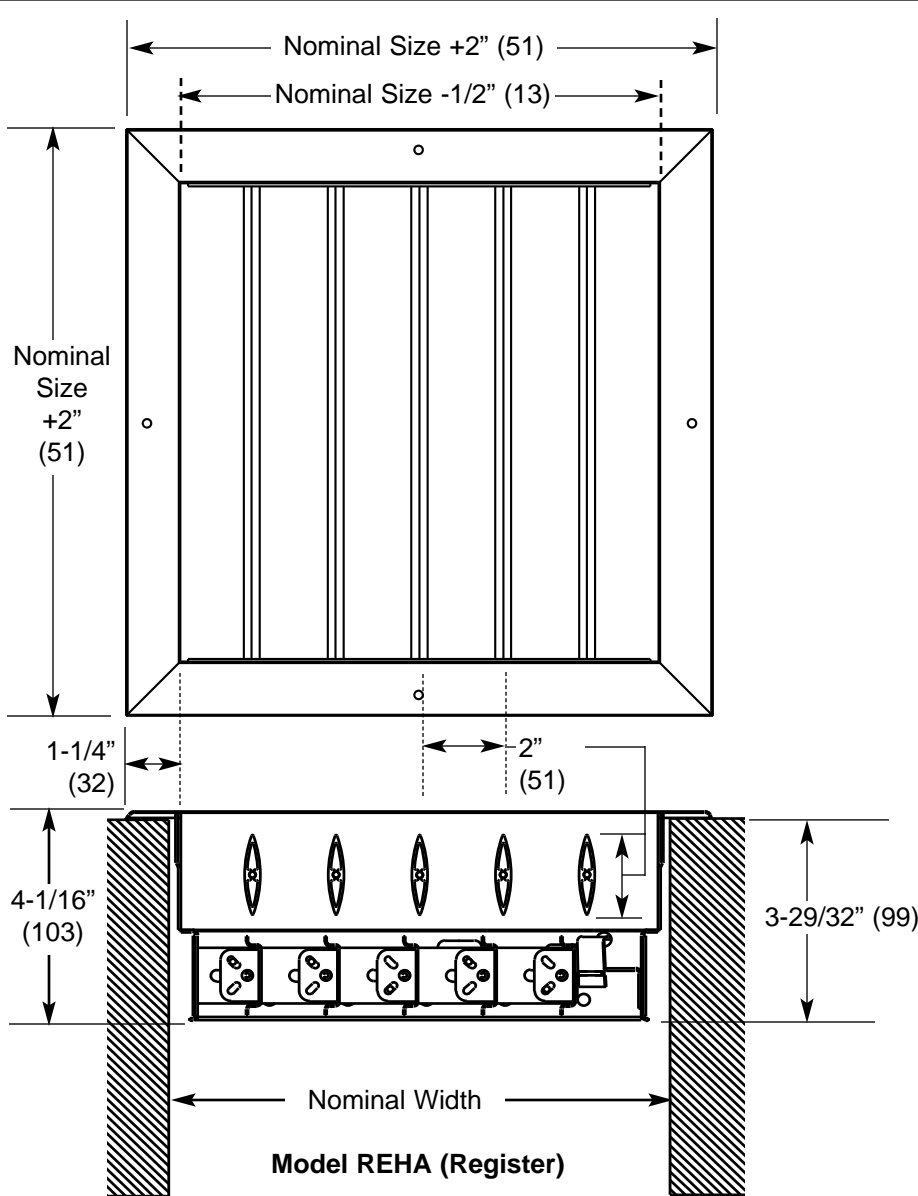


**IP [English] Dimensions**  
*SI (Metric) In Parentheses*

**Industrial Single Deflection Supply Registers & Grilles**  
**2" Airfoil Blades on 2" Centers**

CARNES COMPANY, 448 S. Main St., P. O. Box 930040, Verona, WI. 53593-0040 Phone: 608/845-6411 Fax: 608/845-6504 E-Mail: carnes@carnes.com www.carnes.com



**Notes:**

1. Construction is of extruded aluminum blades and formed 20 gauge steel frame.
2. Blades are individually adjustable.
3. Opposed blade damper is made of electrogalvanized steel.
4. Damper is operated via flat blade screwdriver from the face.
5. Standard finish is electrocoat acrylic baked enamel. Other finishes are available upon request.
6. Standard color is #11 Bright White. Other colors are available on request.
7. Recommended opening is Nominal Size.
8. Fastening screws are #10 size, 3/4" long.
9. Gasket is furnished as standard feature.
10. These are max. single panel sizes. Larger sizes can be furnished by joining panels together.
11. Imperial dimensions are in inches.
12. Metric dimensions are in millimeters.

| Model | Blade Alignment | Damper? | Available Nominal Sizes |                      |
|-------|-----------------|---------|-------------------------|----------------------|
|       |                 |         | Min. (WxH)              | Max. (WxH) (Note 10) |
| RCHAH | Horizontal      | No      | 6x4 (152x102)           | 48x48 (1219x1219)    |
| RCHAV | Vertical        | No      | 6x4 (152x102)           | 48x48 (1219x1219)    |
| REHAH | Horizontal      | Yes     | 6x4 (152x102)           | 48x48 (1219x1219)    |
| REHAV | Vertical        | Yes     | 6x4 (152x102)           | 48x48 (1219x1219)    |