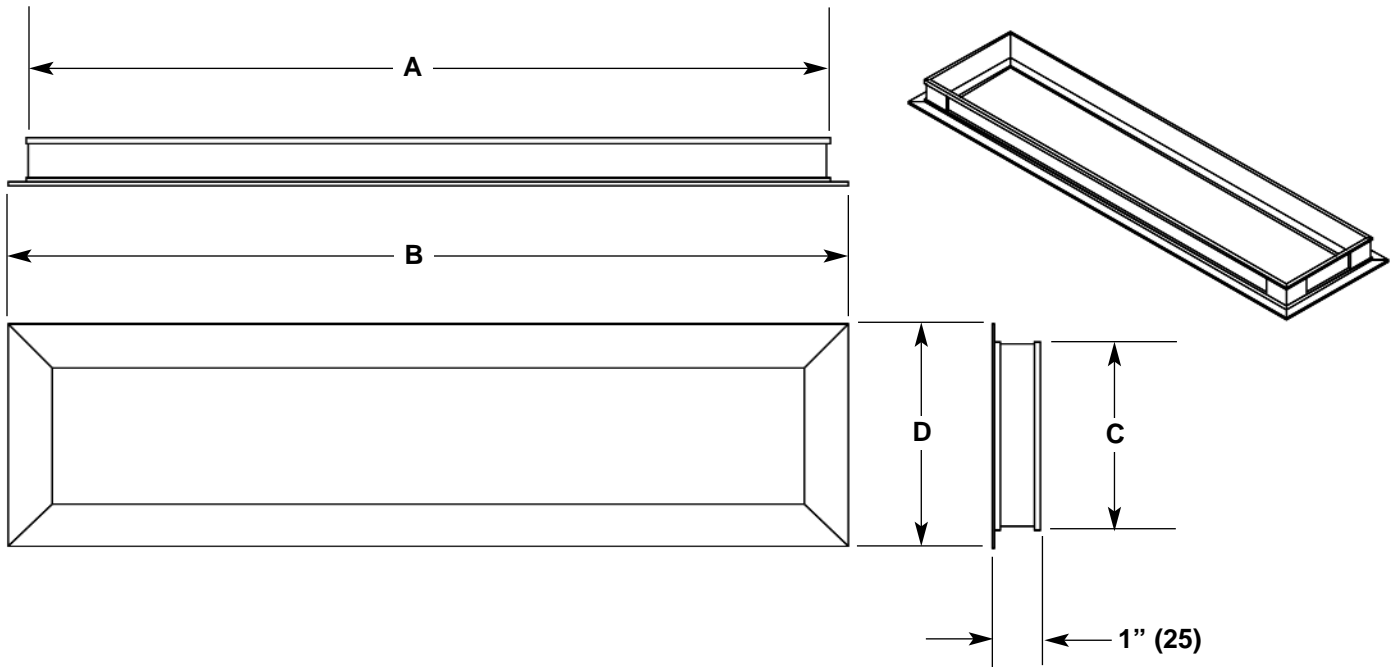


Auxiliary Mounting Frame for Surface Mounting of Plenum Slot Diffusers

Imperial [IP] Dimensions
Metric (SI) in Parentheses

CARNES COMPANY 448 S. Main St., P. O. Box 930040, Verona, WI 53593-0040 Phone: (608)845-6411 Fax: (608)845-6504 www.carnes.com



Model	Slot Qty	Blow Ptn	Diffuser Width
DFSB	1	1-Way	1-13/16" (46)
DFRB	2	1-Way	3-1/16" (78)
	2	2-Way	4-1/8" (105)
	3	1-Way	4-5/16" (110)
	3	2-Way	5-3/8" (137)
	4	1-Way	5-9/16" (141)
	4	2-Way	6-5/8" (168)

Model	Slot Qty	Slot Width	Diffuser Width
DASD	1	3/4"	2-1/8" (54)
DARD	2		3-3/4" (95)
DAHD	3		5-1/2" (140)
DAVD	4		7-1/2" (191)
	1	1"	2-1/4" (57)
	2		4-1/4" (108)
	3		6-1/4" (159)
	4		8-1/4" (210)
	1	1-1/2"	2-3/4" (70)
	2		5-1/4" (133)
	3		7-3/4" (197)
	4		10-1/4" (260)

Model	Diffuser Width
DFCA	2-13/16" (71)
DFDA	5-5/16" (135)

Notes:

- Construction is aluminum.
- Standard color is #11 Bright White.
- Metric dimensions are given in millimeters.
- Frames for DF diffusers with 2-way blow patterns are shipped with center tee's installed.

Models DFSB, DFRB					
Length			Width		
Neck O.D. Dim. A	Face O.D. Dim. B	Rec. Clng. Opening	Neck O.D. Dim. C	Face O.D. Dim. D	Rec. Clng. Opening
Nominal	Nominal	Nominal	Diffuser	Diffuser	Diffuser
Length +	Length +	Length +	Width +	Width +	Width +
5/16"	1-1/16"	3/4"	3/8"	1-1/8"	3/4"
(8)	(27)	(19)	(10)	(29)	(19)

Models DASD, DARD, DAHD, DAVD, DFCA, DFDA					
Length			Width		
Neck O.D. Dim. A	Face O.D. Dim. B	Rec. Clng. Opening	Neck O.D. Dim. C	Face O.D. Dim. D	Rec. Clng. Opening
Nominal	Nominal	Nominal	Diffuser	Diffuser	Diffuser
Length +	Length +	Length +	Width +	Width +	Width +
3/16"	15/16"	1/2"	3/8"	1-1/8"	3/4"
(5)	(24)	(13)	(10)	(29)	(19)