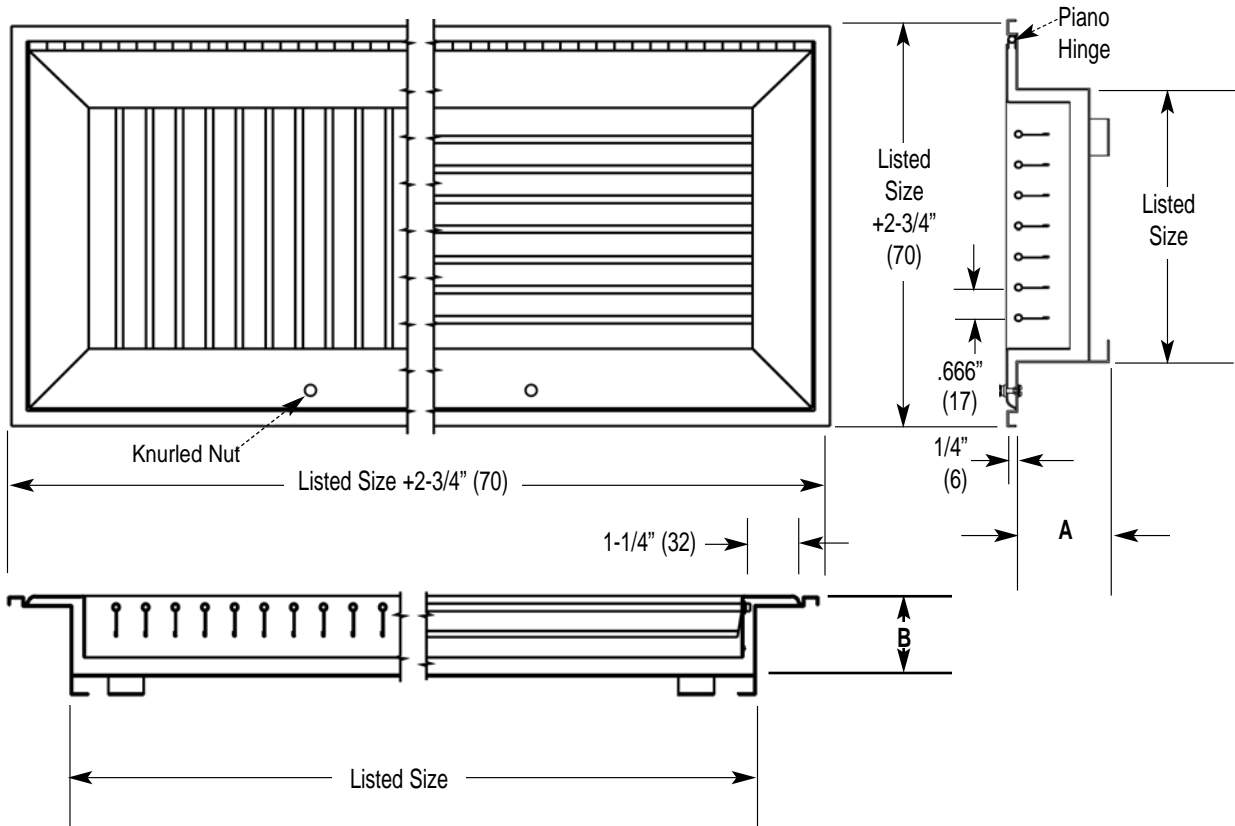


Imperial [IP] Dimensions
Metric [SI] in Parentheses

CARNES COMPANY 448 S. Main St., P. O. Box 930040, Verona, WI 53593-0040 Phone: (608)845-6411 Fax: (608)845-6504 www.carnes.com



Notes:

1. The standard finish is electrocoat acrylic baked enamel. Other finishes available on request.
2. The standard color is #11 Bright White. Other colors are available on request.
3. Blades can be aligned either horizontally or vertically.
4. Blade edges are hemmed for extra strength and safety.
5. Blade deflection is fixed at 0°.
6. Standard sizing is in even inch increments in both dimensions.
7. Odd inch and fractional sizing [in 1/8" (3) increments] is available on request.
8. Metric dimensions are given in millimeters.
9. Minimum filter grille size is 6" x 4" (152 x 102).
10. Maximum standard filter grille size is 36" wide by 36" high (914 x 914).
11. The following nominal sizes will fit the following standard T-bar ceiling grids:

Filter Thickness	Dim. A	Dim. B
1"	2-1/16" (52)	1-5/8" (41)
2"	3-1/16" (78)	1-5/8" (41)

Filter Grille Nominal Size	Grille Face O.D.	Ceiling System Grid Centers	Nominal Filter Size
9" x 9" (229 x 229)	11-3/4" x 11-3/4" (298 x 298)	12" x 12" (305 x 305)	9" x 9" (229 x 229)
9" x 21" (229 x 533)	11-3/4" x 23-3/4" (298 x 603)	12" x 24" (305 x 610)	9" x 21" (229 x 533)
21" x 21" (533 x 533)	23-3/4" x 23-3/4" (603 x 603)	24" x 24" (610 x 610)	20" x 20" (508 x 508)
21" x 45" (533 x 1143)	23-3/4" x 47-3/4" (603 x 1213)	24" x 48" (610 x 1219)	20" x 20" [2] (508 x 508)

12. With the exceptions noted above, all other grilles take the same filter size as the grille nominal size.
13. Carnes does not supply filters with these grilles.
14. **This is available to fit either 1" (25) or 2" (51) thick filters.**
15. Recommended duct opening is nominal size plus 1/8" (3).
16. This grille is covered by U. S. Patent#5,771,647.