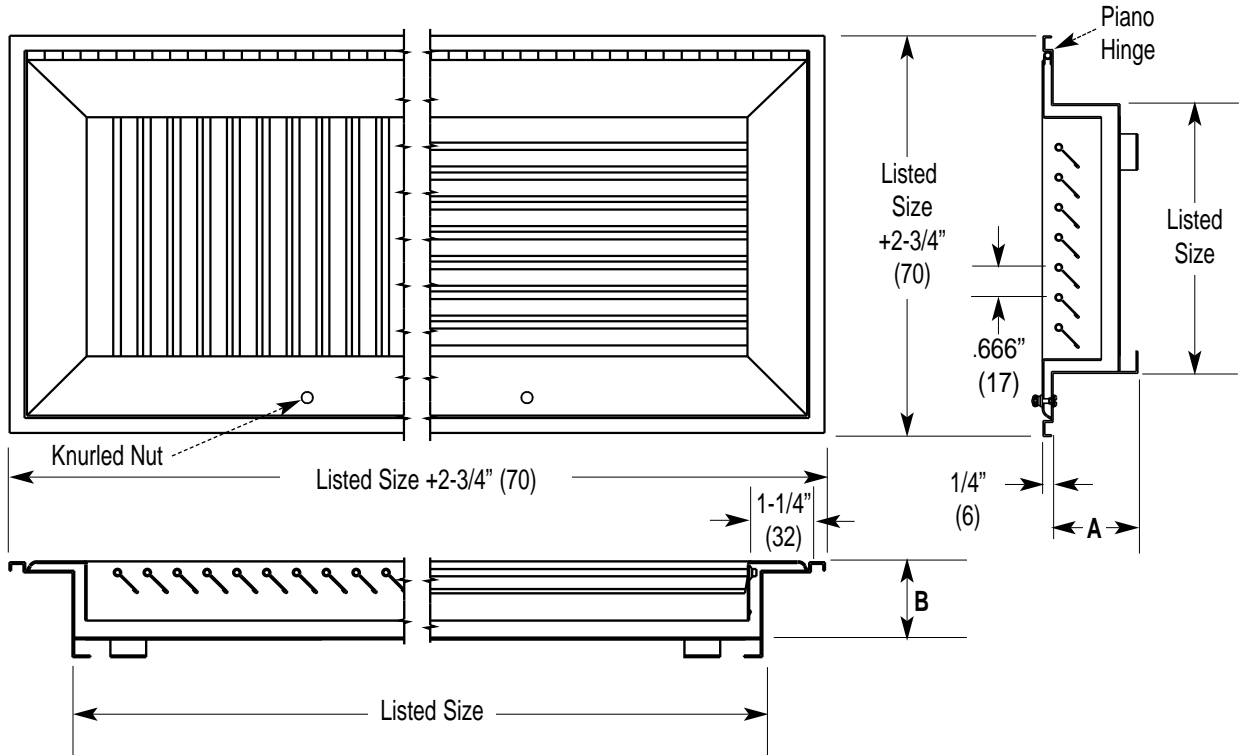


Imperial [IP] Dimensions
Metric (SI) in Parentheses

CARNES COMPANY 448 S. Main St., P. O. Box 930040, Verona, WI 53593-0040 Phone: (608)845-6411 Fax: (608)845-6504 www.carnes.com



Filter Thickness	Dim. A	Dim. B
1"	2-1/16" (52)	1-5/8" (41)
2"	3-1/16" (78)	1-5/8" (41)

Notes:

- The standard finish is electrocoat acrylic baked enamel. Other finishes available on request.
- The standard color is #11 Bright White. Other colors are available on request.
- Blades can be aligned either horizontally or vertically.
- Blades edges are hemmed for extra strength and safety.
- Blade deflection is fixed at 45°.
- Standard sizing is in even inch increments in both dimensions.
- Odd inch and fractional sizing [in 1/8" (3) increments] is available on request.
- Metric dimensions are given in millimeters.
- Minimum filter grille size is 6" x 4" (152x102).
- Maximum standard filter grille size is 36" wide by 36" high (914x914).
- The following nominal sizes will fit the following standard T-bar ceiling grids:

Filter Grille Nominal Size	Grille Face O.D.	Ceiling System Grid Centers	Nominal Filter Size
9"x9" (229x229)	11-3/4"x11-3/4" (298x298)	12"x12" (305x305)	9"x9" (229x229)
9"x21" (229x533)	11-3/4"x23-3/4" (298x603)	12"x24" (305x610)	9"x21" (229x533)
21"x21" (533x533)	23-3/4"x23-3/4" (603x603)	24"x24" (610x610)	20"x20" (508x508)
21"x45" (533x1143)	23-3/4"x47-3/4" (603x1213)	24"x48" (610x1219)	20"x20" [2] (508x508)
- With the exceptions noted above, all other grilles take the same nominal filter size as the grille nominal size.
- Carnes does not supply filters with these grilles.
- This is available to fit either 1" (25) or 2" (51) thick filters.**
- Recommended duct opening is nominal size plus 1/8" (3).
- This grille is covered by U. S. Patent #5,771,647.