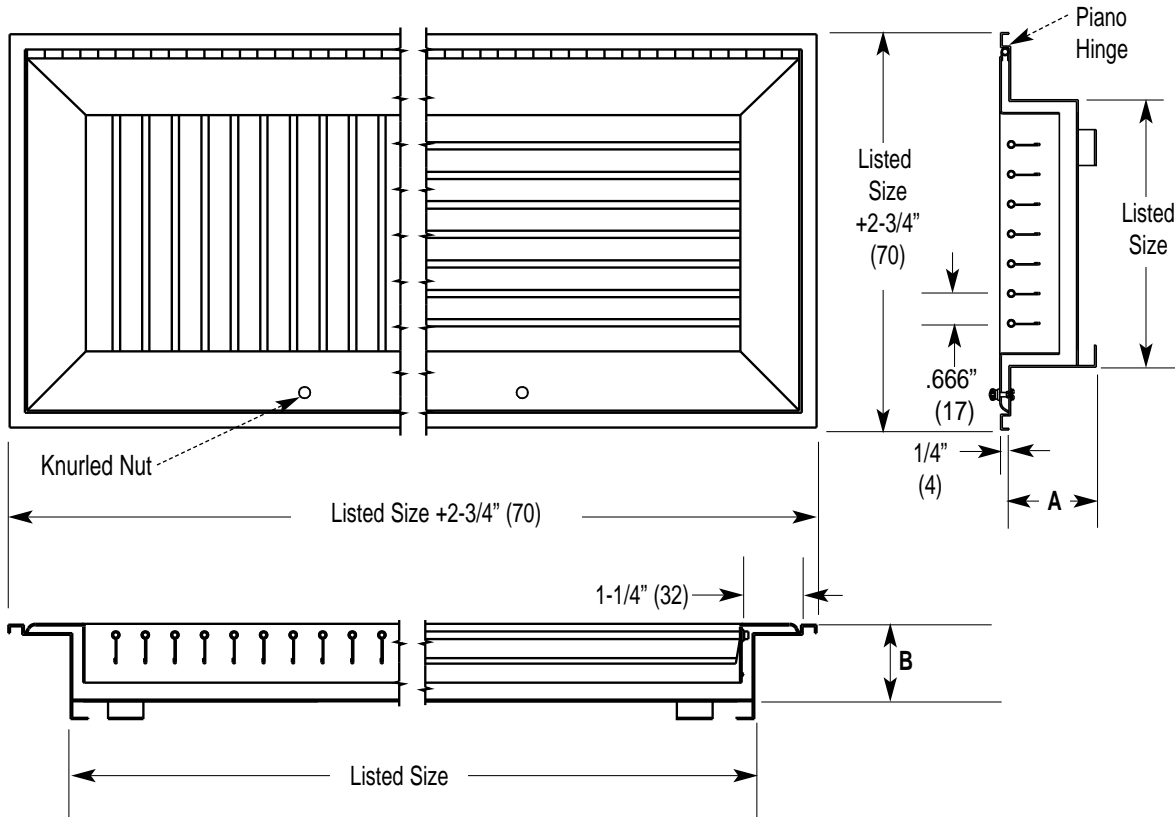


**Imperial [IP] Dimensions**  
*Metric (SI) In Parentheses*

### 0° Fixed Deflection Filter Return Grille

CARNES COMPANY, 448 S. Main St., P. O. Box 930040, Verona, WI. 53593-0040 Phone: 608/845-6411 Fax: 608/845-6504 E-Mail: carnes@carnes.com www.carnes.com



#### Notes:

- The standard finish is #22 Satin Polish with one coat of clear laquer. Other finishes available on request.
- Construction is type 304 stainless steel grille, frame and hinge.
- Blades can be aligned either horizontally or vertically.
- Blades edges are hemmed for extra strength and safety.
- Blade deflection is fixed at 0°.
- Standard sizing is in even inch increments in both dimensions.
- Odd inch and fractional sizing [in 1/8" (3) increments] is available on request.
- Metric dimensions are given in millimeters.
- Minimum filter grille size is 6" x 4" (152x102).
- Maximum standard filter grille size is 36" wide by 36" high (914x914).
- The following nominal sizes will fit the following standard T-bar ceiling grids:
 

Filter Grille Nominal Size	Grille Face O.D.	Ceiling System Grid Centers
9" x 9" (229 x 229)	11-3/4" x 11-3/4" (298 x 298)	12" x 12" (305 x 305)
9" x 21" (229 x 533)	11-3/4" x 23-3/4" (298 x 603)	12" x 24" (305 x 610)
21" x 21" (533 x 533)	23-3/4" x 23-3/4" (603 x 603)	24" x 24" (610 x 610)
21" x 45" (533 x 1143)	23-3/4" x 47-3/4" (603 x 1213)	24" x 48" (610 x 1219)
- With the two exceptions noted above, all grilles take the same filter size as the grille nominal size.
- Carnes does not supply filters with these grilles.
- This is available to fit either 1" (25) or 2" (51) thick filters.
- Recommended duct opening is nominal size plus 1/8" (3).
- This grille is covered by U. S. Patent #5,771,647.

Filter Thickness	Dim. A	Dim. B
1"	2-1/16" (52)	1-5/8" (41)
2"	3-1/16" (78)	1-5/8" (41)