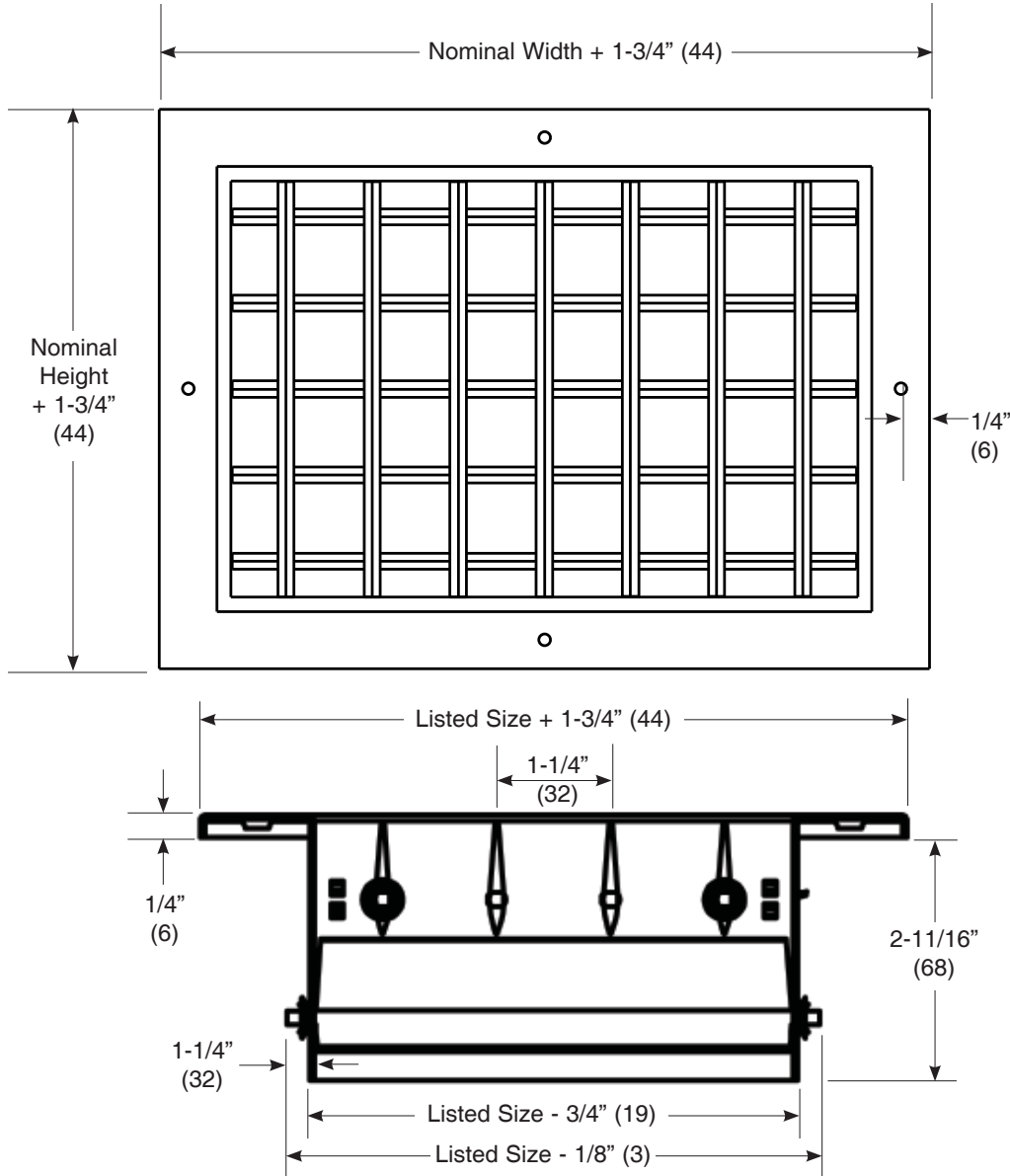


#### IP [English] Dimensions SI (Metric) In Parentheses

CARNES COMPANY 448 S. Main St., P. O. Box 930040, Verona, WI 53593-0040 Phone: (608)845-6411 Fax: (608)845-6504 www.carnes.com



DIMENSIONS LISTED IN INCHES (Millimeters)			
Model	Front Blade Alignment	Panel Size	
		Minimum	Maximum
RBGAH	Horizontal	8 x 4 (203 x 102)	48 x 48 (1219 x 1219)
RBGAV	Vertical	8 x 4 (203 x 102)	48 x 48 (1219 x 1219)

#### Notes:

1. Construction is all extruded aluminum.
2. Blades are individually adjustable.
3. Front blades can be aligned vertically or horizontally. The unit shown here has the front blades aligned vertically.
4. The standard finish is white. Mill finish is available upon request.
5. Metric dimensions shown are in millimeters.