

Imperial [IP] Dimensions
Metric (SI) in Parentheses

CARNES COMPANY 448 S. Main St., P. O. Box 930040, Verona, WI 53593-0040 Phone: (608)845-6411 Fax: (608)845-6504 www.carnes.com

PATENT 4,491,062



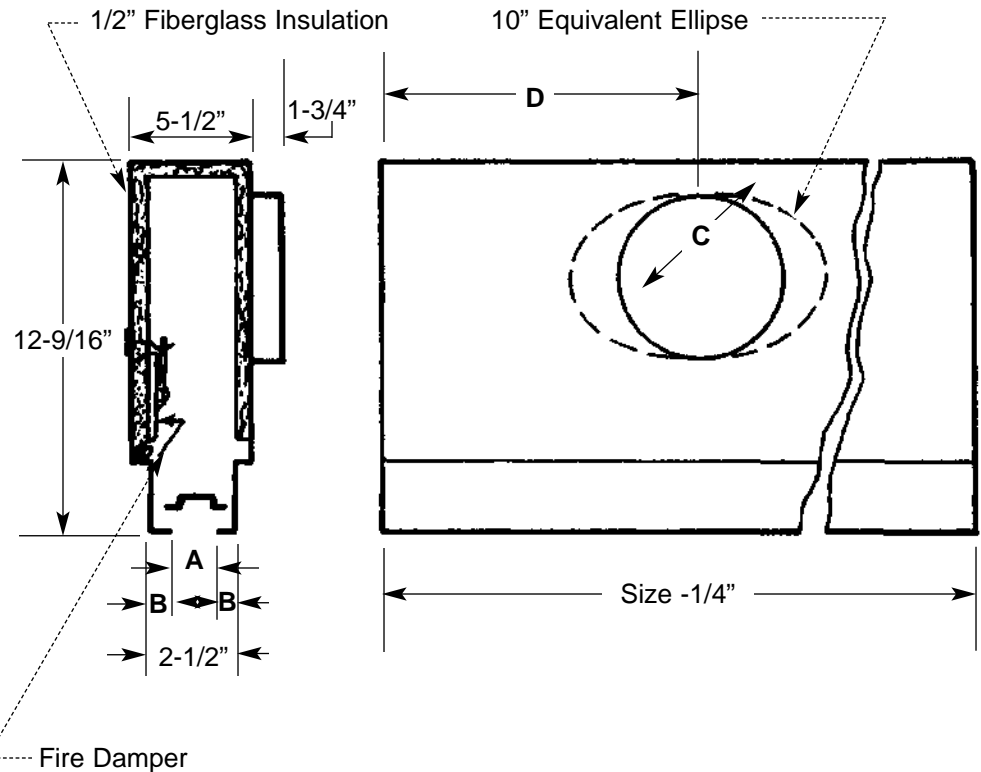
Vertical



Horizontal Left



Horizontal Right



Size	Inlet C	Slot Width - A	B	C	Weight
24	6 & 7	3/4"	7/8"	6"	10
	8 & 9 10 Ellipse	1" 1-1/4"	3/4" 5/8"		
48	6 & 7	3/4"	7/8"	19"	19
	8 & 9	1" 1-1/4"	3/4" 5/8"		
38	10 Ellipse	3/4" 1" 1-1/4"	7/8" 3/4" 5/8"	17-1/2"	19

Size 48"
Pattern Control
Blade is split in the center

Notes:

1. 22 gauge galvanized steel construction.
2. Face of unit painted black.
3. All ceiling "T-Bar" by others.



UNDERWRITERS' LABORATORIES, INC®
CLASSIFIED
AIR TERMINAL UNITS
FIRE RESISTANCE CLASSIFICATION
DESIGN NOS.—SEE PRODUCT CATEGORY
IN UL FIRE RESISTANCE DIRECTORY
CONTROL NO. 241Y