

All-Purpose Frame Model RXS (Steel), RXL (304 Stainless Steel)**Application:**

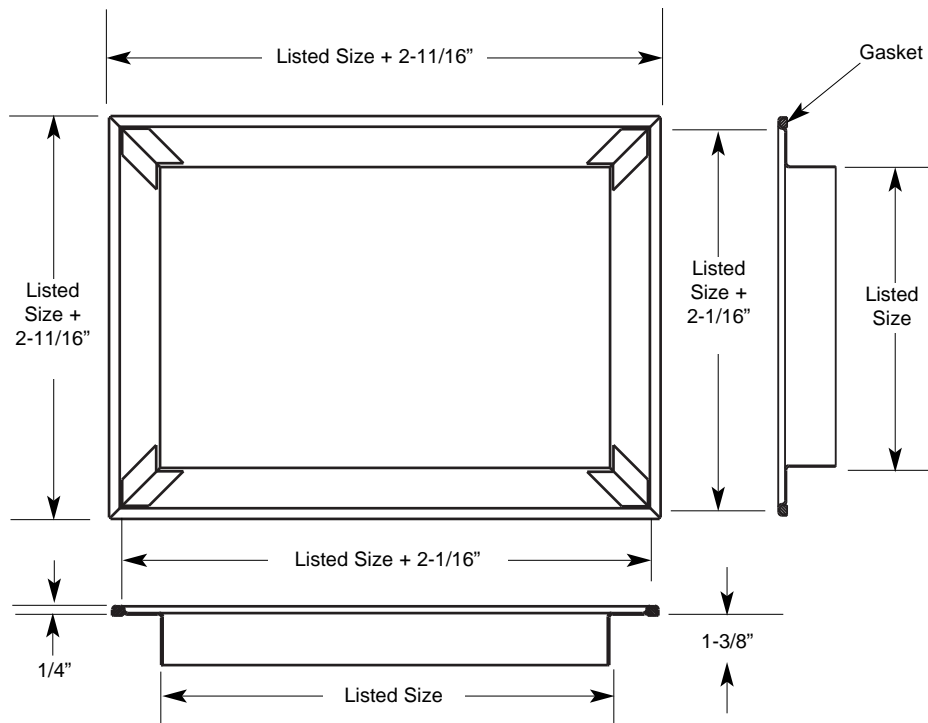
Use with 2" or 3" single and double deflection R&G models as a plaster stop for clean appearance, or when it is necessary to frequently remove the grille or register.

Standard Features:

- Construction of steel or type 304 stainless steel.
- Sizing is available in 1/8" increments.
- Sponge rubber gasket prevents air leakage around frame.
- When installed after plastering, protrusion from wall is 1/4".
- When installed before plastering, it acts as a plaster stop and is flush with wall.

Installation Notes:

- Sizes greater than 48" in one direction and 36" in the other direction will ship in pieces for field assembly.
- Duct openings should be made 1/8" oversize to accommodate frame.

**Model Numbering System — All-Purpose Frame (Models RXS, RXL)**