

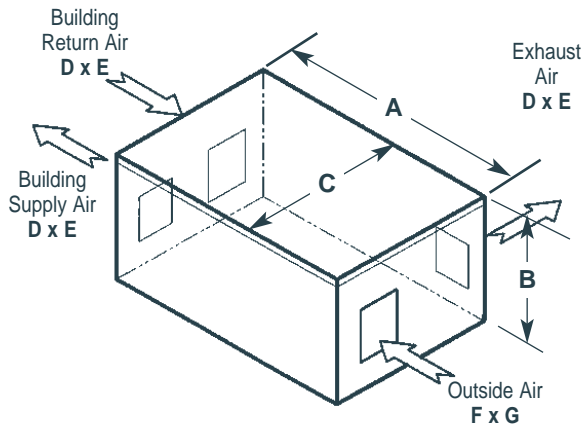
**DIMENSIONS AND WEIGHTS**

Unit Size	DIMENSIONS LISTED IN INCHES (Millimeters)								Intake Hood Length
	A		B	C	D	E	F	G	
	WMWA without Coils	Maximum with Coils*							
<b>WM_A03</b>	60 (1524)	108 (2743)	47-1/2 (1206)	44 (1118)	16 (406)	14 (356)	21 (533)	16 (406)	18-1/2 (470)
<b>WM_A06</b>	72 (1829)	120 (3048)	57-1/2 (1460)	54 (1372)	20(508)	18 (457)	26 (660)	22 (559)	26-1/2 (673)
<b>WM_A09</b>	80 (2032)	128 (3251)	69-1/2 (1765)	66 (1676)	24 (610)	20 (508)	34 (864)	28 (711)	27-1/2 (698)
<b>WM_A14</b>	102 (2591)	150 (3810)	83-1/2 (2121)	80 (2032)	30 (762)	24 (610)	42 (1067)	34 (864)	32-1/2 (825)

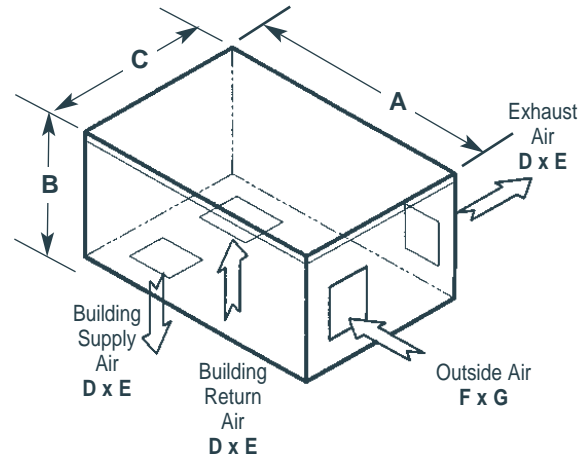
\*Cabinet lengths may be up to 16 inches (406mm) less depending on coil selected.

**NOTE:** Allow at least 30" (610mm) clearance on all sides of the unit, except for the control panel side for servicing. You must allow sufficient clearance around the control panel to meet local codes concerning serviceability. Allow unit width clearance on side that rotor may need to be removed.

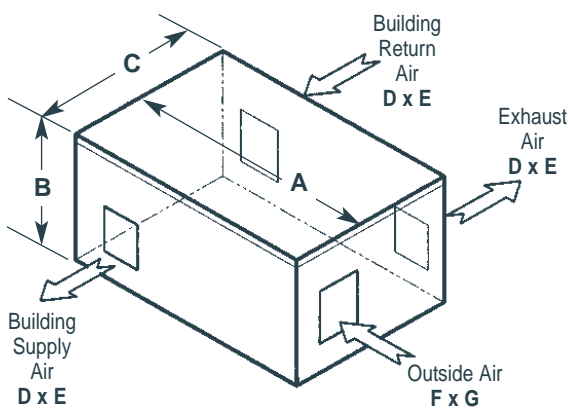
**UNIT ARRANGEMENT # 1**



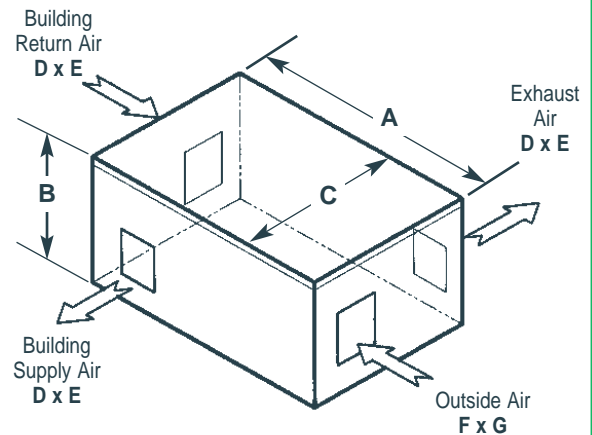
**UNIT ARRANGEMENT # 2**



**UNIT ARRANGEMENT # 3**

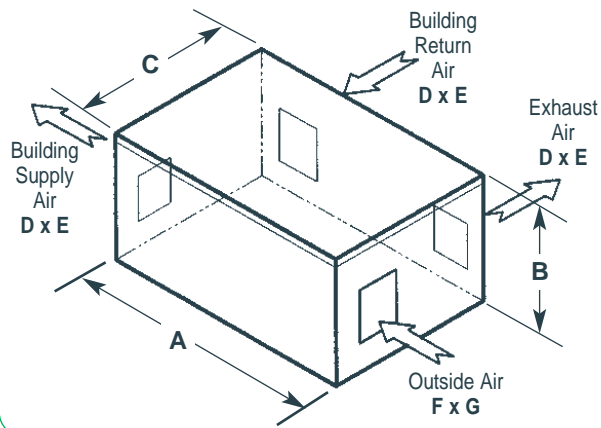


**UNIT ARRANGEMENT # 4**

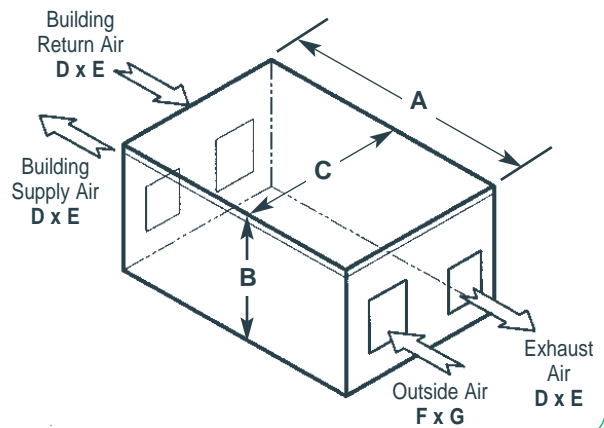


**DIMENSIONS AND WEIGHTS**

**UNIT ARRANGEMENT # 5**



**UNIT ARRANGEMENT # 6**



**CURB & ROOF OPENING**

DIMENSIONS LISTED IN INCHES (Millimeters)					
	WMWA with- out Coils	Maximum with Coils			
UNIT SIZE	A	A	B	C	D
03	58 (1473)	106 (2692)	42 (1067)	16 (406)	14 (356)
06	70 (1778)	118 (2997)	52 (1321)	20 (508)	18 (457)
09	78 (1981)	126 (3200)	64 (1626)	24 (610)	20 (508)
14	100 (2540)	148 (3759)	78 (1981)	30 (762)	24 (610)

