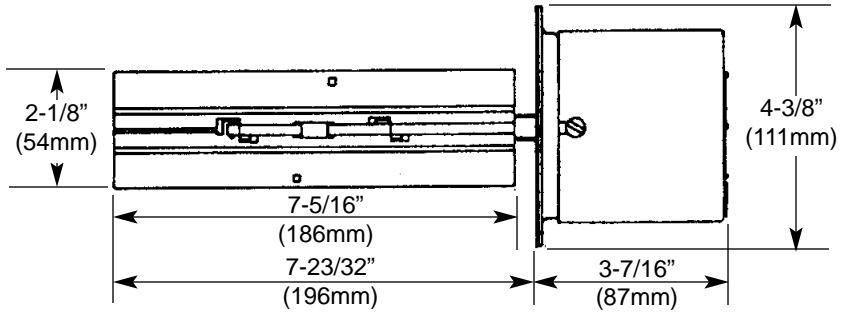
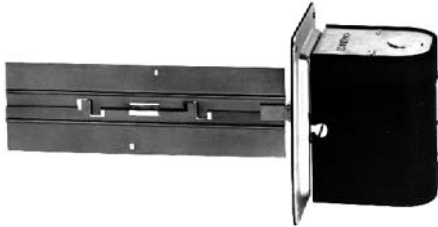


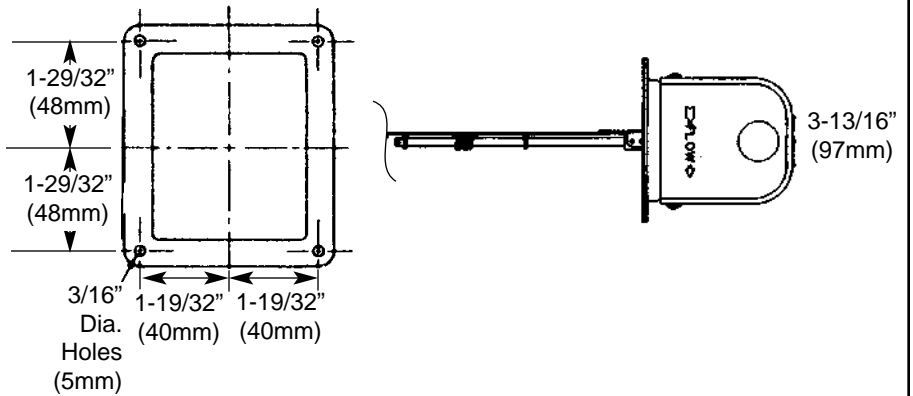
IP [English] Dimensions
SI (Metric) In Parentheses

CARNES COMPANY 448 S. Main St., P. O. Box 930040, Verona, WI 53593-0040 Phone: (608)845-6411 Fax: (608)845-6504 www.carnes.com

SPECIFICATIONS



This air flow switch is installed in the duct to prevent humidifier operation when air flow is not occurring. This switch provides a positive and economical method to detect loss of air flow velocity. The switch may be installed on the side, top, or bottom of a horizontal duct. Installation can be made in a vertical duct if the air flow is upward. A horizontal flow velocity of 480 fpm or upward vertical flow of 910 fpm is required to operate the switch.



INSTALLATION

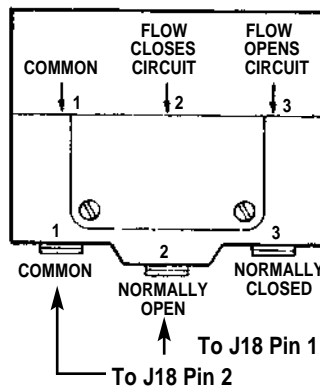
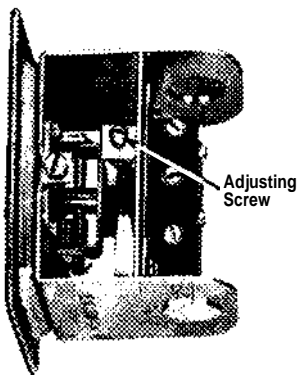
LOCATION

Wherever possible, the air flow switch should be installed in a horizontal duct. Avoid downstream locations too close to elbows, dampers, fans, or other areas of excessive turbulence.

Avoid running control wiring near high voltage primary wires.

ADJUSTMENT

The adjustment screw is factory set for minimum flow velocities. To obtain higher velocities before the switch is actuated, turn adjusting screw in clockwise direction.



AIR FLOW SWITCH WIRING

