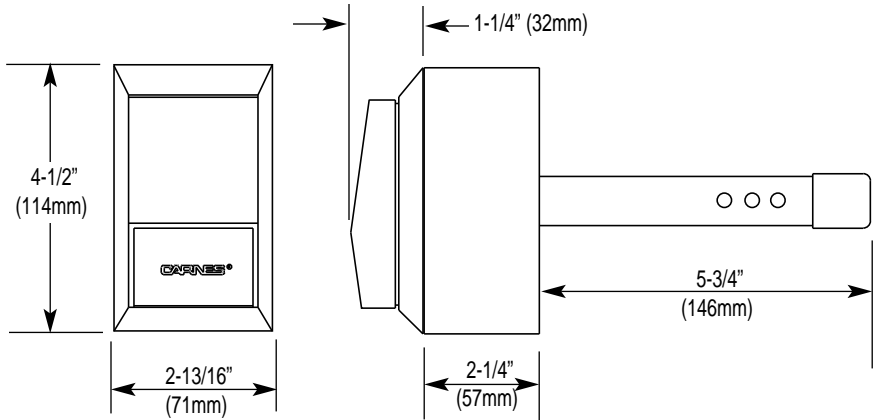
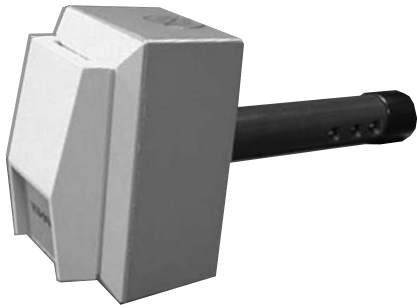


**IP [English] Dimensions**  
*Metric (SI) In Parentheses*

CARNES COMPANY 448 S. Main St., P. O. Box 930040, Verona, WI 53593-0040 Phone: (608)845-6411 Fax: (608)845-6504 www.carnes.com

### SPECIFICATIONS



The Model HXHCH is designed to be mounted in a duct to provide a means of sensing relative humidity. The humidistat uses a monolithic sensor. The humidistat is designed to be mounted with the holes horizontal. Setpoint range is from 0 to 100% R. H. Ambient operating conditions are from 0° to 85°C. The humidistat may be mounted in a return duct to provide a means of sensing and controlling relative humidity. The humidistat may be mounted in a supply duct a minimum of 10 feet downstream from the steam distributor pipe when used as a high limit humidistat.

### INSTALLATION

Remove any excess insulation from the duct that would prevent the probe from extending a minimum of 4" (106mm) into the air stream.

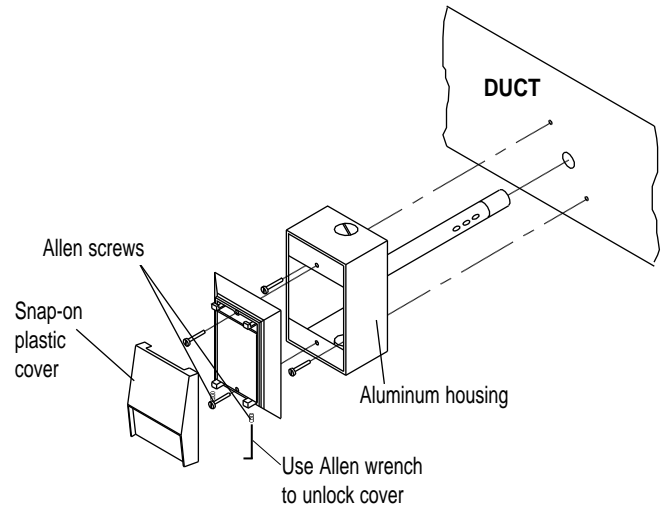
Make a 1-1/2" (38mm) hole in the duct for inserting the probe.

Use a gasket, sealer, or other means to seal the area between the unit and the duct to ensure proper operation.

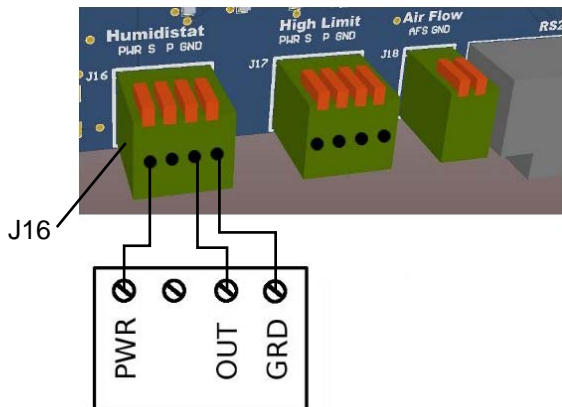
Make connections using No. 18 AWG wire.

All wiring connections must be made in accordance with the National Electrical Code and all local regulations.

Avoid running control wiring near high voltage primary wires.



**DUCT MOUNT WIRING DIAGRAM  
WHEN USED AS ROOM HUMIDITY CONTROL**



**DUCT MOUNT WIRING DIAGRAM  
WHEN USED AS HIGH LIMIT HUMIDISTAT**

