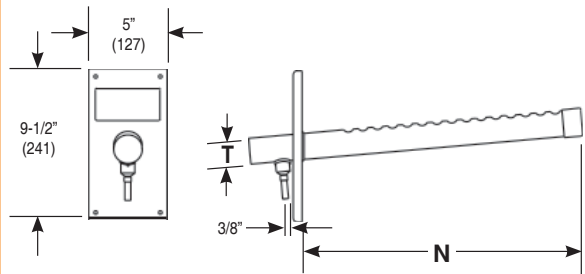


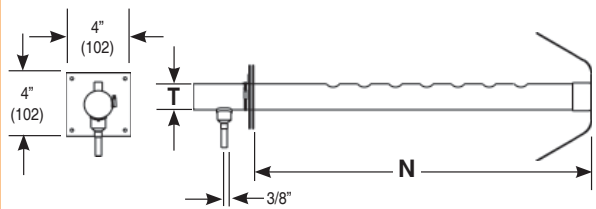
STEAM DISTRIBUTOR PIPES



Lengths 012-036



Lengths 048-120



Distributor Pipes for Models: HTA, HSA, HTD, HSD

PIPE	N	T
HXPBB012S	11-13/16 (300mm)	7/8
HXPBB018S	17-13/16 (452mm)	7/8
HXPBB024S	23-13/16 (605mm)	7/8
HXPBB030S	29-13/16 (757mm)	7/8
HXPBB036S	35-13/16 (910mm)	7/8

Distributor Pipes for Models: H_GH, H_HH

PIPE	N	T
HXPBC012S	11-13/16 (300mm)	1-5/8
HXPBC018S	17-13/16 (452mm)	1-5/8
HXPBC024S	23-13/16 (605mm)	1-5/8
HXPBC030S	29-13/16 (757mm)	1-5/8
HXPBC036S	35-13/16 (910mm)	1-5/8

PIPE	Minimum**		T
	N	N	
HXPBB040S	35 (889mm)	38 (965mm)	7/8
HXPBB044S	39 (991mm)	42 (1067mm)	7/8
HXPBB048S	43 (1092mm)	46 (1168mm)	7/8
HXPBB052S	47 (1194mm)	50 (1270mm)	7/8
HXPBB056S	51 (1295mm)	54 (1372mm)	7/8
HXPBB060S	55 (1397mm)	58 (1473mm)	7/8
HXPBB064S	59 (1499mm)	62 (1575mm)	7/8
HXPBB068S	63 (1600mm)	66 (1676mm)	7/8
HXPBB072S	67 (1702mm)	70 (1778mm)	7/8
HXPBB076S	71 (1803mm)	74 (1880mm)	7/8
HXPBB080S	75 (1905mm)	78 (1981mm)	7/8
HXPBB084S	79 (2007mm)	82 (2083mm)	7/8
HXPBB088S	83 (2108mm)	86 (2184mm)	7/8
HXPBB092S	87 (2210mm)	90 (2286mm)	7/8
HXPBB096S	91 (2311mm)	94 (2388mm)	7/8
HXPBB100S	95 (2413mm)	98 (2489mm)	7/8
HXPBB104S	99 (2515mm)	102 (2591mm)	7/8
HXPBB108S	103 (2616mm)	106 (2692mm)	7/8
HXPBB112S	107 (2718mm)	110 (2794mm)	7/8
HXPBB116S	111 (2819mm)	114 (2896mm)	7/8
HXPBB120S	115 (2921mm)	118 (2997mm)	7/8

PIPE	Minimum**		T
	N	N	
HXPBC048S	43 (1092mm)	46 (1168mm)	1-5/8
HXPBC060S	55 (1397mm)	58 (1473mm)	1-5/8
HXPBC072S	67 (1702mm)	70 (1778mm)	1-5/8
HXPBC084S	79 (2007mm)	82 (2083mm)	1-5/8
HXPBC096S	91 (2311mm)	94 (2388mm)	1-5/8
HXPBC108S	103 (2616mm)	106 (2692mm)	1-5/8
HXPBC120S	115 (2921mm)	118 (2997mm)	1-5/8

****NOTE A**

The mounting plate on these pipes is adjustable to compensate for slight variations in ductwork dimensions. The "N" dimension is shown at both maximum and minimum depending on position of mounting plate. A mounting strap is provided on the end of the pipe to secure to the top or side of the duct for support.

MATERIAL

Standard distributor pipes are fabricated from stainless steel.

**See Note A

▼ FAN DISTRIBUTION UNITS

REMOTE MOUNTED



Humidifier Model	Nominal Steam Output Rate	Remote Mounted Fan Unit Model
H_AH	005, 010	HXBHB (1 Required)
H_DH	020, 030	HXBHB (1 Required)
H_GH	030, 040, 050, 060, 080, 100	HXBHC (1 Required)
H_HH	125, 150, 175, 200	HXBHC (2 Required)

Fan distribution units are available for use in areas which do not have duct systems or where duct air temperatures are too low to provide sufficient humidification. For example, in computer areas, the desired relative humidity may not be possible in the conditioned space without causing condensation in the duct. Fan distribution units may be either remote mounted or directly mounted on the humidifier unit.

HUMIDIFIER MOUNTED



Humidifier Model	Nominal Steam Output Rate	Remote Mounted Fan Unit Model
H_AH	005, 010	HXBHB (1 Required)
H_DH	020, 030	HXBHB (1 Required)
H_GH	030, 040, 050, 060, 080, 100	HXBHC (1 Required)
H_HH	125, 150, 175, 200	HXBHC (2 Required)

Fan distribution units must be mounted securely on a level and plumb surface at least three feet below the ceiling for a Model HXBHB and at least four feet below the ceiling for a Model HXBHC to prevent condensing on the ceiling surface. Allow 20 feet in front of the HXBHB and 30 feet in front of the HXBHC for the steam to be absorbed into the air. Do not mount the units above any items that would be damaged if a water leak or spitting were to develop.

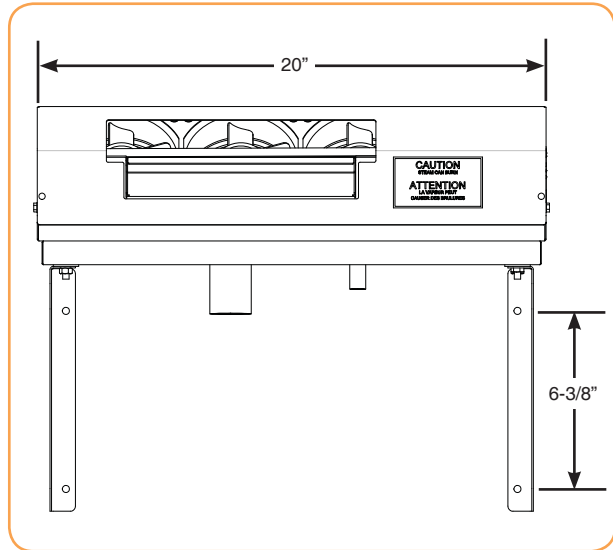
▼ OPTIONS

STANDARD MOUNTING: Factory attached to humidifier.

OPTION: Mounted remote from humidifier.

FAN VOLTAGE: 3 fans attached, 12 volt from humidifier

***NOTE:** Selected control humidifiers (HXHAA-ON/OFF, HXHCG/Proportional, or HXHAM), whether mounted or remote units, will be mounted external to fan distribution boxes for more consistent and accurate operation. Field wiring, by others, will need to be done for both mounted and remote units. (Note wiring diagram on door of fan distribution unit.)



WALL HUMIDISTAT, PROPORTIONAL CONTROL



Model HXHAM/HXHAMT

The Model HXHAM is a wall-mounted, microprocessor-controlled humidistat solution for humidity control. The HXHAM employs a backlit LCD module, which displays both the ambient temperature and humidity of the surrounding air. The embedded software allows user navigation between temperature/humidity viewing mode, setpoint adjustment mode, and also outdoor temperature and humidity viewing mode, and outdoor temperature/humidity viewing mode. An optional outdoor temperature compensation sensor can be added (HXHAMT).

WALL HUMIDISTAT, PROPORTIONAL CONTROL



Model HXHCG

The wall mounted HXHCG humidistat uses a monolithic sensor and electronic circuitry to provide accurate and reliable humidity sensing. Setpoint range is 0 to 100%. The HXHCG has a concealed setpoint adjustment with a locking cover to prevent tampering. Ambient operating conditions are from 0° to 85°C. Case dimensions are 2-13/16" x 4-1/2" x 1-1/4".

WALL/DUCT HUMIDISTAT, ON-OFF CONTROL



Model HXHAB

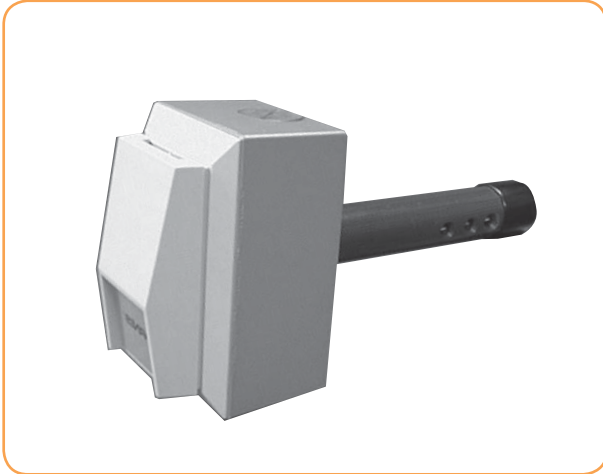
The Model HXHAB can be mounted to a wall or duct to provide automatic low voltage control for humidifiers in central heating and air condition systems. The inherent flexibility of this unit's size and installation make this the perfect fit for any number of rooms. They have a snap-acting and dust-proof SPST switch. Humidity scale range is from 20-80% RH. Case dimensions are 5" high, 3" wide and 3.86" length.

DUCT HIGH LIMIT HUMIDISTAT, ON-OFF CONTROL



Model HXHAD

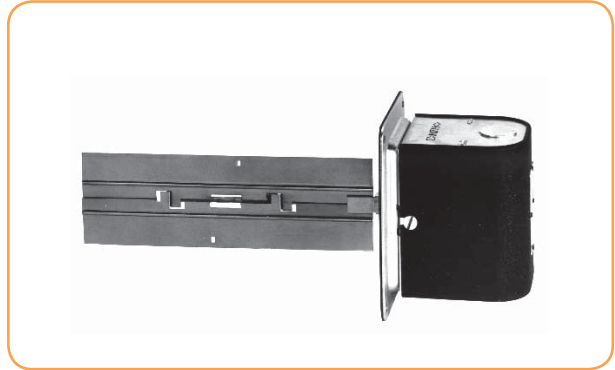
The Model HXHAD humidistat is available for use as a safety precaution to prevent air in the duct from exceeding a preset level. Do not use the humidistat in air that is over 125°F or in locations where the unit could become wet. The control must be mounted a minimum of 10 feet downstream of the distributor pipe. Scale range is from 15%-95% RH. Differential is 5% non-adjustable. Mounting plate dimensions are 6-1/2" wide, 4-3/4" high. Humidistat extends 1-1/4" into duct and projects 2-1/4" outside the duct.

**DUCT HUMIDISTAT OR HIGH LIMIT,
PROPORTIONAL CONTROL****Model HXHCH**

The Model HXHCH is designed to be mounted in a duct to provide a means of sensing relative humidity. Setpoint range is from 0 to 100% RH. Ambient operating conditions are from 0° to 85°C. The humidistat may be mounted in a return duct to provide a mean of sensing and controlling relative humidity. The humidistat may be mounted in a supply duct a minimum of 10 feet downstream from the distributor pipe when used as a high limit humidistat. Case dimensions are 2-13/16" x 4-1/2" x 2-1/4". The probe extends 5-3/4" into the duct.

**AIR FLOW SWITCH PRESSURE
DIFFERENTIAL TYPE****Model HXAEE**

Air flow in the duct may be sensed by using this differential pressure switch. The differential in pressure between the interior of the duct and ambient when air is moving in the duct closes a micro switch allowing the humidifier to operate. Air pressure differential as low as .07 w.g. and as high as 12.0 w.g. may be sensed with one model. The switch may be mounted with tubing connecting to the duct. Switch is **UL** listed.

AIR FLOW SWITCH, VELOCITY TYPE**Model HXAAF**

This air flow switch is installed in the duct to prevent humidifier operation when air flow is not occurring. This switch provides a positive and economical method to detect loss of air flow velocity. The switch may be installed on the side, top, or bottom of a horizontal duct. Installation can be made in a vertical duct if the air flow is upward. A horizontal flow velocity of 480 fpm or upward vertical flow of 910 fpm is required to operate the switch. Switch is **UL** listed. Case dimensions are 4-3/8 high, 3-13/16" wide. The paddle extends 7-23/32" into the duct.

STEAM HOSE



Carnes steam hose is made from EPDM compound to withstand the low pressure steam without deterioration. Model HXSAB steam hose has an I. D. of 7/8" for use with units that use "AX" or "B" steam cylinders. Model HXSAC has an I. D. of 1-5/8" for use with units that use "C" cylinders. The hose may be easily cut to the exact length at time of installation.

STEAM HOSE DRAIN "T" FITTINGS



Steam hose drain "T" are available for use when the duct is located below the top of the humidifier or where the length of steam hose is in excess of 12 feet.

Humidifier Model	Drain "T" Model	Dimensions
HBA, HCA, HSA, HTA HBD, HCD, HSD, HTD	HXTABB	7/8"x7/8"x3/8"
HBG, HCG, HSG, HTG HBH, HCH, HSH, HTH	HXTACB	1-5/8"x1-5/8"x3/8"

CONDENSATE RETURN LINE



Two models of condensate return line are available. Model HXRA has an I. D. of 3/8" and is used whenever steam distributor pipes are used with the humidifier. Model HXLA has an I. D. of 5/8" and is used with optional fan distribution units.

"T" FITTINGS



In some applications it may be desirable to have the steam generator cylinder feed two steam distributor pipes. "T" fittings can be installed in the steam hose and condensate return line.

STEAM HOSE "T" FITTINGS

Humidifier Model	Drain "T" Model	Dimensions
HBA, HCA, HSA, HTA HBD, HCD, HSD, HTD	HXTABA	7/8"x7/8"x7/8"
HBG, HCG, HSG, HTG HBH, HCH, HSH, HTH	HXTACA	1-5/8"x1-5/8"x1-5/8"

CONDENSATE HOSE "T" FITTINGS

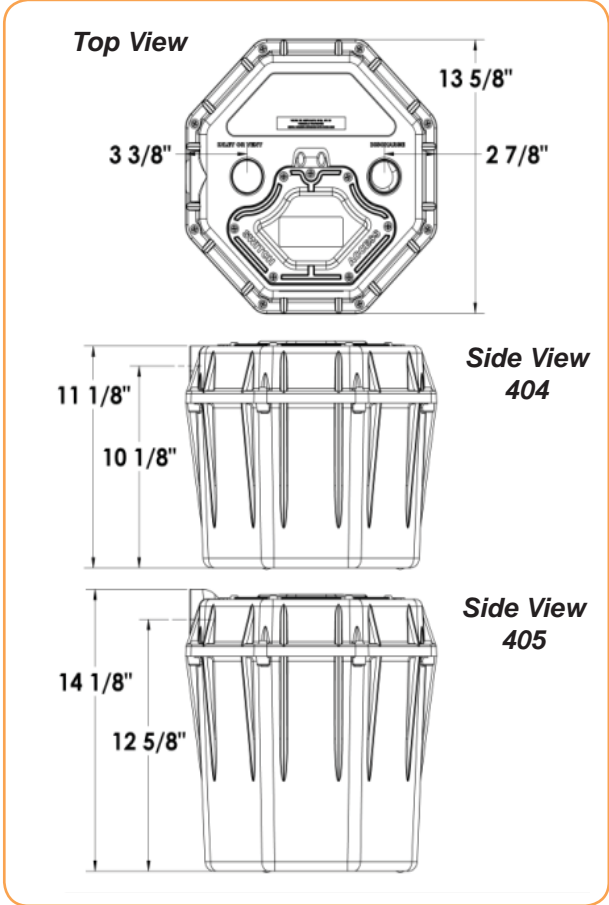
Humidifier Model	Drain "T" Model	Dimensions
ALL	HXTAD	3/8"x3/8"x3/8"

DRAIN WATER PUMP



Model HXWA

The HXWA is a drain water pump for mounting directly under the humidifier cabinet. This pump is ideal for an application where the building drain is remotely located or is at a higher elevation than the humidifier drain connection. This unit operates on a float principle which automatically starts the pump when the reservoir is 3/4 full of water.



Models Available

HXCBA145	HXCBB380	HXCBC6F
HXCBA220	HXCBB500	HXCBC6X
HXCBA380	HXCBB600	HXCBC61
HXCBA500	HXCBB700	HXCBC62
HXCBA600		HXCBC63
HXCBA700		HXCBC64
		HXCBC65
		HXCBC12