

CARNES COMPANY, 448 S. Main St., P. O. Box 930040, Verona, WI 53593-0040 Phone: (608)845-6411 Fax: (608)845-6504 carnes@carnes.com

Model FAQA & FARA

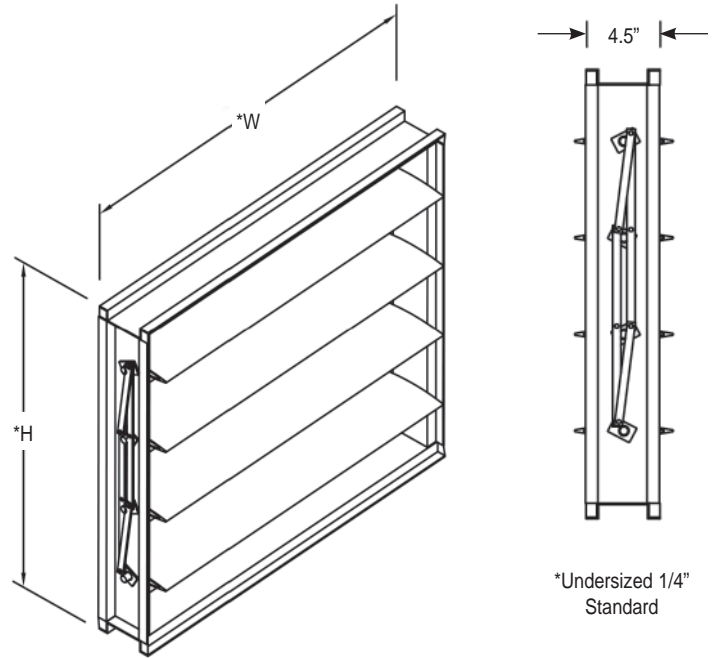
Standard Specifications

- Frame:** 304 stainless steel
- Blades:** 6" wide stainless steel airfoil
- Extended Shaft:** 1/2" diameter
- Bearing:** nylon
- Linkage:** concealed in frame
- Axels:** zinc plated
- Blade Seals:** PVC (175°F)
- Jamb Seals:** stainless steel (compression)

Options

- Hand Quadrant
- Chain Operated
- Factory Installed Pneumatic or Electric Actuators
- Position Switch
- Stand Off Bracket, 2"
- Side Plate (End Flange)
- Face and By-pass Damper
- Single Flange
- Double Flange
- Bolt Holes in Flange
- 6-1/2" Deep Frame
- 304L Stainless Steel Construction*
- 316L Stainless Steel Construction*
- 12 ga. Construction
- 10 ga. Construction
- Heresite Coated (Air Dry)
- Epoxy Coated (Powder Coated at 415°)
- Insulated (Foam Filled Blades)

(*304 stainless steel linkage)



Minimum Size: 8" w x 8" h
 Maximum Size: 48" w x 60" h (single section)
 9" h and under - single blade
 Maximum Multi-Section: Unlimited



Tag	Qty.	Size		Frame	Variations
		Width	Height		

Project
Arch./Engr.
Representative

Location
Contractor
Date

Model FAQA & FARA Performance Data

Imperial Units (Forward Flow)

Damper Width x Height	1 in. w.g. Class	4 in. w.g. Class	8 in. w.g. Class	*Torque (per sq. ft.)
12" x 12"	Class I	Class II	Class II	15 lbs-in
24" x 24"	Class I	Class I	Class I	12.59 lbs-in
36" x 36"	Class II	Class II	Class II	15.55 lbs-in
12" x 48"	Class III	Class III	Class II	12.59 lbs-in
48" x 12"	Class I	Class I	Class I	12.59 lbs-in
60" x 36"	Class II	Class II	Class II	15 lbs-in

Air leakage is based on operation between 50°F to 104°F. All data corrected to represent air density of 0.075 lbs/ft.³

*Torque applied to hold damper in closed position.
 **Only 36" x 36" size is certified by Certain Technical Servies, LTD.

		Leakage, ft. ³ /min/ft. ²			
		Required Rating		Extended Ranges (optional)	
Class	Pressure	1"	4"	8"	12"
	I		4	8	11
II		10	20	28	35
III		40	80	112	140

All data corrected to represent standard air at a density of 0.075 lbs/ft.³

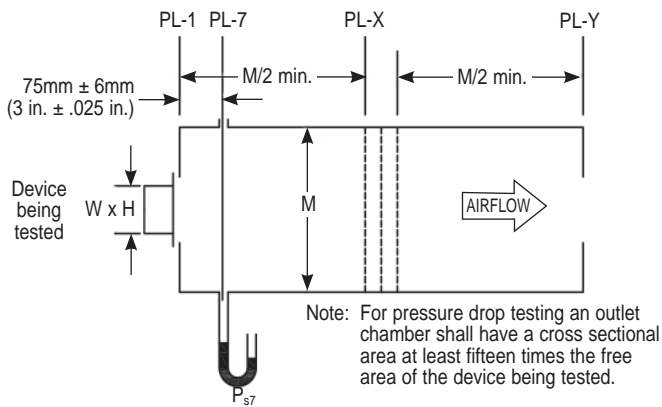


Figure 5.4 - Test Device Setup with Outlet Chamber

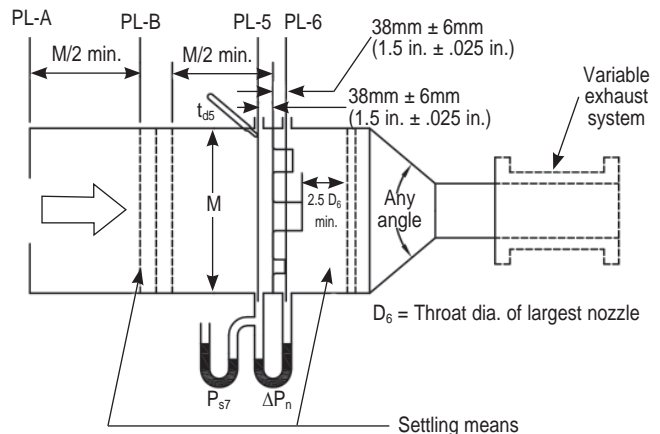


Figure 6.3 - Airflow Rate Measurement Setup - Multiple Nozzle Chamber on Fan Inlet

Model FAQA & FARA Performance Data

Standard International Units (Forward Flow)

Damper Width x Height (mm)	250 Pa Class	1 kPa Class	2 kPa Class	*Torque
305 x 305	Class I	Class II	Class II	2,679 grams-cm
610 x 610	Class I	Class I	Class I	2,248 grams-cm
915 x 915	Class II	Class II	Class II	2,735 grams-cm
305 x 1220	Class III	Class III	Class II	2,248 grams-cm
1220 x 305	Class I	Class I	Class I	2,248 grams-cm
1525 x 915	Class II	Class II	Class II	2,679 grams-cm

Air leakage is based on operation between 10°C to 40°C. All data corrected to represent air density of 1.201 kg/m³

*Torque applied to hold damper in closed position.

**Only 915 x 915 size is certified by Certain Technical Servies, LTD.

		Leakage, L/s/m ²			
		Required Rating		Extended Ranges (optional)	
Class	Pressure	0.25 kPa	1.0 kPa	2.0 kPa	3.0 kPa
		I		20.3	40.6
II		50.8	102	142	178
III		203	406	569	711

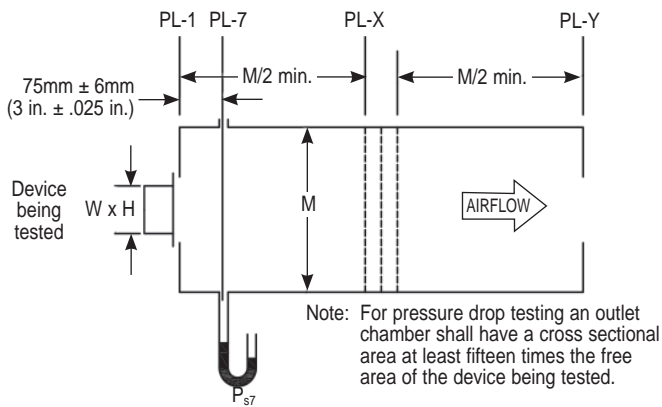


Figure 5.4 - Test Device Setup with Outlet Chamber

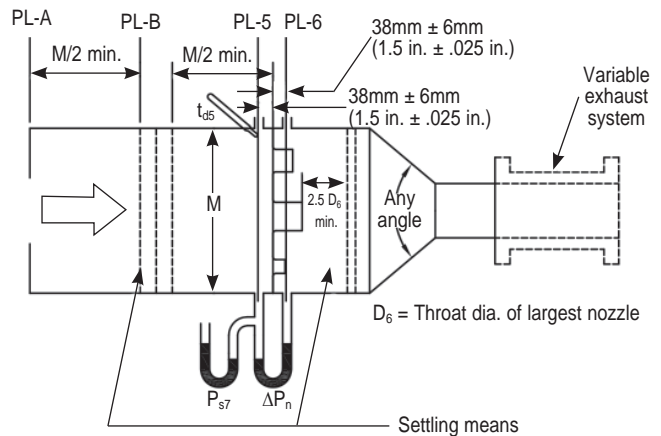
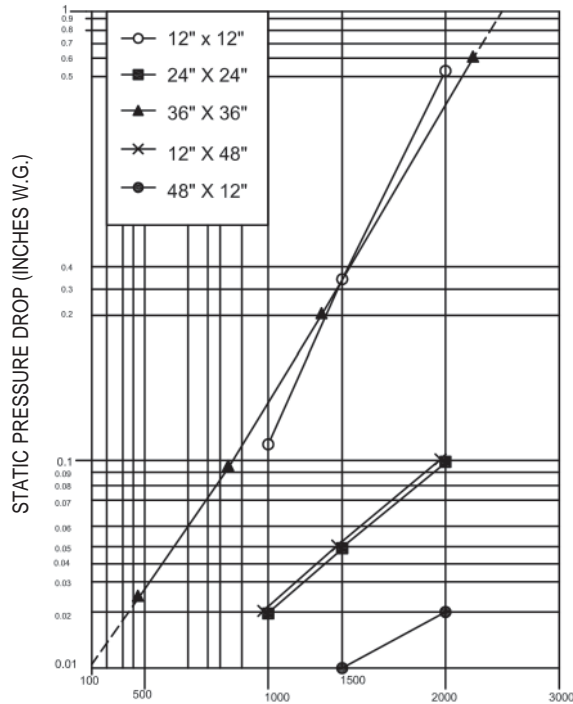


Figure 6.3 - Airflow Rate Measurement Setup - Multiple Nozzle Chamber on Fan Inlet

Model FAQA & FARA Performance Data

Pressure Drop



FACE AREA VELOCITY (ft/min)

Based on standard air -.075 lbs per cu ft

FAQA & FARA sizes: 12x12, 24x24, 48x12, 12x48, 36x36 (305x305, 610x610, 1219x305, 305x1219, 914x914)

**Only 36" x 36" size is certified Certaire Technical Services, LTD.

Pressure Limitations

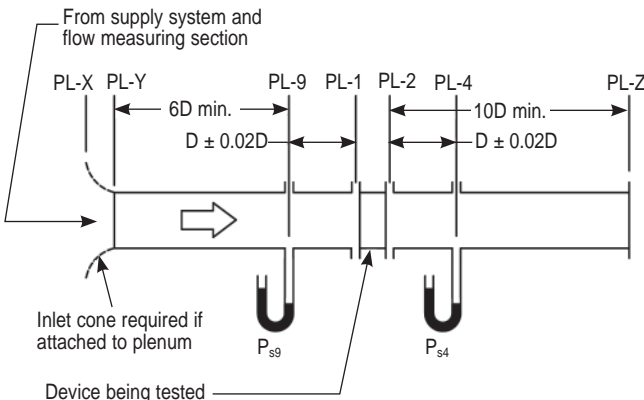
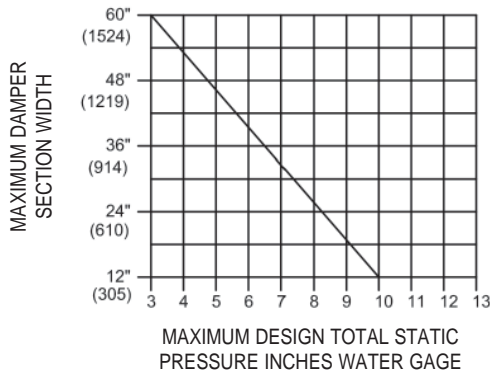


Figure 5.3 - Test Device Setup with Outlet Chamber

12" x 12" (305mm x 305mm)

Face Velocity ft./min. (m/s)	Pressure Drop in w.g. (Pa)
1000 (5.08)	0.14 (35)
1500 (7.62)	0.32 (79)
2000 (10.16)	0.53 (132)

24" x 24" (610mm x 610mm)

Face Velocity ft./min. (m/s)	Pressure Drop in w.g. (Pa)
1000 (5.08)	0.02 (5)
1500 (7.62)	0.05 (12)
2000 (10.16)	0.10 (25)

48" x 12" (1219mm x 305mm)

Face Velocity ft./min. (m/s)	Pressure Drop in w.g. (Pa)
1000 (5.08)	0.05(12)
1500 (7.62)	0.13 (32)
2000 (10.16)	0.22 (55)

12" x 48" (305mm x 1219mm)

Face Velocity ft./min. (m/s)	Pressure Drop in w.g. (Pa)
1000 (5.08)	0.02 (5)
1500 (7.62)	0.05 (12)
2000 (10.16)	0.10 (25)

36" x 36" (914mm x 914mm)

Face Velocity ft./min. (m/s)	Pressure Drop in w.g. (Pa)
1000 (5.08)	0.14 (35)
1500 (7.62)	0.35 (87)
2000 (10.16)	0.48 (120)

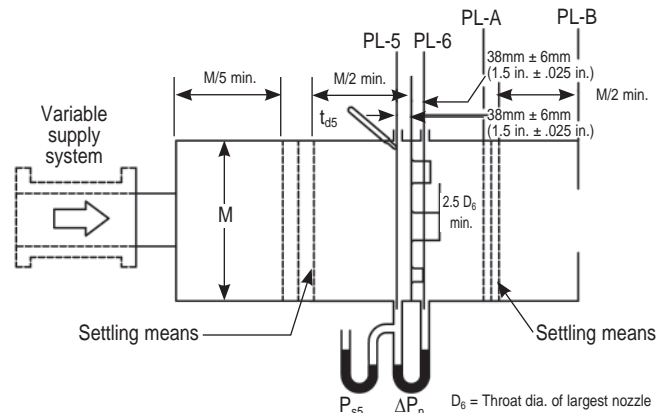


Figure 6.5 - Airflow Rate Measurement Setup - Multiple Nozzle Chamber on Fan Inlet