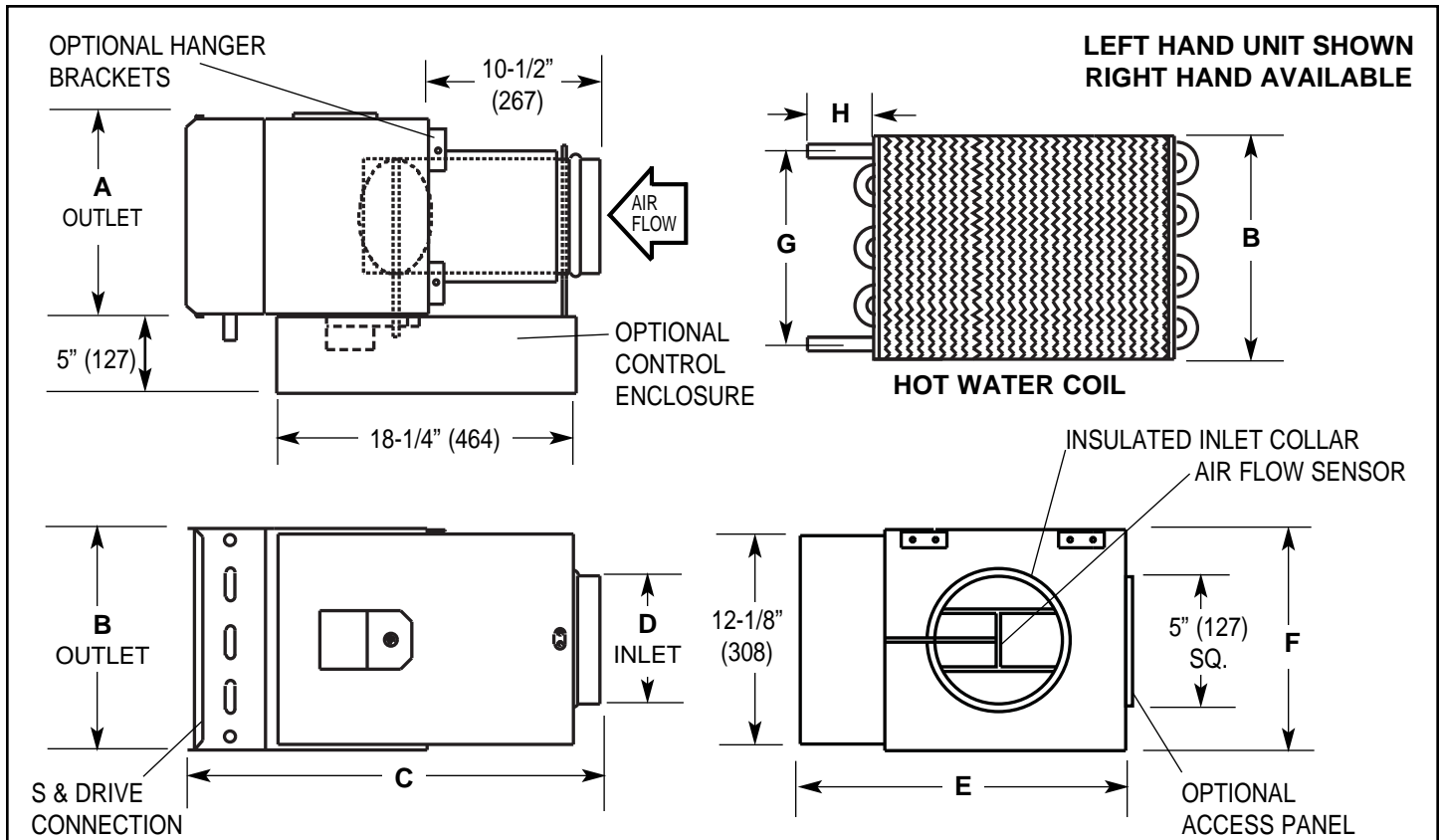


Imperial [IP] Dimensions  
Metric (SI) in Parentheses

CARNES COMPANY 448 S. Main St., P. O. Box 930040, Verona, WI 53593-0040 Phone: (608)845-6411 Fax: (608)845-6504 www.carnes.com



**DIMENSIONAL LISTED IN INCHES (Millimeters)**

| Unit Size | CFM Range          | Outlet      |                 | 1-Row           | 2-Row       | Inlet                      | E           | F               | 1-Row           |               | 2-Row           |            | O.D. Conn.  |             |
|-----------|--------------------|-------------|-----------------|-----------------|-------------|----------------------------|-------------|-----------------|-----------------|---------------|-----------------|------------|-------------|-------------|
|           |                    | A           | B               | C               | C           |                            |             |                 | G               | H Max.        | G               | H Max.     | 1-Row Coil  | 2-Row Coil  |
| 05        | 0-350<br>(0-165)   | 12<br>(305) | 8<br>(203)      | 23-5/8<br>(600) | 25<br>(635) | 4-7/8<br>(124)             | 17<br>(432) | 8-1/8<br>(206)  | 6-1/4<br>(158)  | 3<br>(76)     | 6-7/8<br>(175)  | 3<br>(76)  | 1/2<br>(13) | 1/2<br>(13) |
| 06        | 0-500<br>(0-236)   | 12<br>(305) | 8<br>(203)      | 23-5/8<br>(600) | 25<br>(635) | 5-7/8<br>(149)             | 17<br>(432) | 8-1/8<br>(206)  | 6-1/4<br>(158)  | 3<br>(76)     | 6-7/8<br>(175)  | 3<br>(76)  | 1/2<br>(13) | 1/2<br>(13) |
| 07        | 0-700<br>(0-330)   | 12<br>(305) | 10<br>(254)     | 23-5/8<br>(600) | 25<br>(635) | 6-7/8<br>(175)             | 17<br>(432) | 10-1/8<br>(257) | 8-3/4<br>(222)  | 3<br>(76)     | 9-3/8<br>(238)  | 3<br>(76)  | 1/2<br>(13) | 5/8<br>(16) |
| 08        | 0-1000<br>(0-472)  | 12<br>(305) | 10<br>(254)     | 23-5/8<br>(600) | 25<br>(635) | 7-7/8<br>(200)             | 17<br>(432) | 10-1/8<br>(257) | 8-3/4<br>(222)  | 3<br>(76)     | 9-3/8<br>(238)  | 3<br>(76)  | 1/2<br>(13) | 5/8<br>(16) |
| 10        | 0-1500<br>(0-708)  | 14<br>(356) | 12-1/2<br>(318) | 23-5/8<br>(600) | 25<br>(635) | 9-7/8<br>(251)             | 19<br>(483) | 12-5/8<br>(320) | 11-1/4<br>(286) | 3<br>(76)     | 11-7/8<br>(302) | 3<br>(76)  | 1/2<br>(13) | 5/8<br>(16) |
| 12        | 0-2300<br>(0-1085) | 16<br>(406) | 15<br>(381)     | 23-5/8<br>(600) | 25<br>(635) | 11-7/8<br>(302)            | 21<br>(533) | 15-1/8<br>(381) | 13-3/4<br>(349) | 3-1/2<br>(89) | 13<br>(329)     | 4<br>(102) | 5/8<br>(16) | 7/8<br>(22) |
| 14        | 0-3100<br>(0-1463) | 20<br>(508) | 17-1/2<br>(445) | 23-5/8<br>(600) | 25<br>(635) | 13-7/8<br>(352)            | 25<br>(635) | 17-5/8<br>(447) | 16-1/4<br>(412) | 3-1/2<br>(89) | 15-1/2<br>(393) | 4<br>(102) | 5/8<br>(16) | 7/8<br>(22) |
| 16        | 0-4200<br>(0-1982) | 24<br>(610) | 18<br>(457)     | 24-5/8<br>(625) | 26<br>(660) | 15-7/8<br>(403)            | 29<br>(737) | 18-1/8<br>(460) | 16-1/4<br>(412) | 3-1/2<br>(89) | 15-1/2<br>(393) | 4<br>(102) | 5/8<br>(16) | 7/8<br>(22) |
| 18        | 0-5500<br>(0-2596) | 32<br>(813) | 17-1/2<br>(445) | 26-5/8<br>(676) | 28<br>(711) | 15-7/8x17-7/8<br>(403x454) | 37<br>(939) | 17-5/8<br>(447) | 16-1/4<br>(412) | 3-1/2<br>(89) | 15-1/2<br>(393) | 4<br>(102) | 5/8<br>(16) | 7/8<br>(22) |
| 24        | 0-7300<br>(0-3445) | 32<br>(813) | 17-1/2<br>(445) | 26-5/8<br>(676) | 28<br>(711) | 15-7/8x23-7/8<br>(403x606) | 37<br>(939) | 17-5/8<br>(447) | 16-1/4<br>(412) | 3-1/2<br>(89) | 15-1/2<br>(393) | 4<br>(102) | 5/8<br>(16) | 7/8<br>(22) |