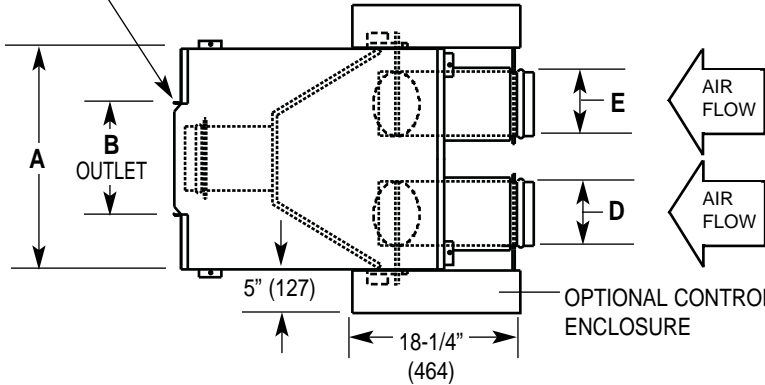


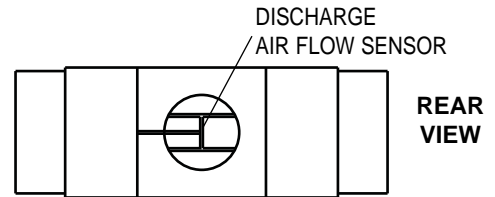
Imperial [IP] Dimensions
Metric (SI) in Parentheses

CARNES COMPANY 448 S. Main St., P. O. Box 930040, Verona, WI 53593-0040 Phone: (608)845-6411 Fax: (608)845-6504 www.carnes.com

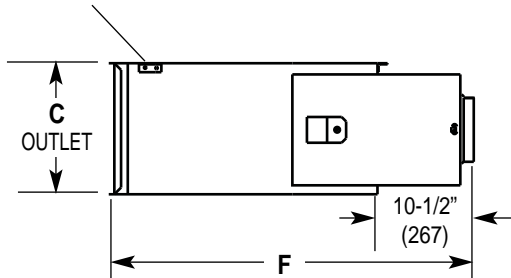
S & DRIVE CONNECTIONS



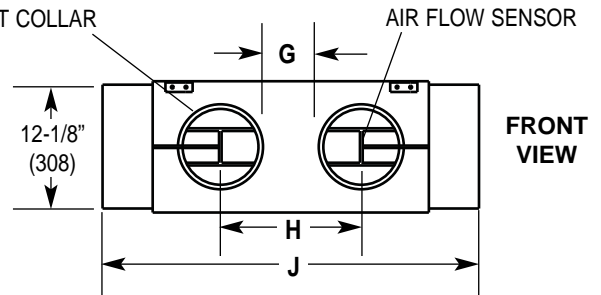
NOTE: 5" (127) and 6" (152) inlet will be 1-1/4" (32) off center in the vertical plane.



OPTIONAL HANGER BRACKETS (SIZES 0505-1010 ONLY)



INSULATED INLET COLLAR



Unit Size	Nominal Max. CFM (L/s)		DIMENSIONS LISTED IN INCHES (Millimeters)								
			Outlet			Inlets		F	G	H	J
	Cooling	Heating	A	B	C	D	E				
0505	350 (165)	350 (165)	24 (610)	12 (305)	10 (254)	4-7/8 (124)	4-7/8 (124)	38-1/2 (978)	9 (229)	14 (356)	34 (864)
0605	500 (236)	350 (165)	24 (610)	12 (305)	10 (254)	5-7/8 (149)	4-7/8 (124)	38-1/2 (978)	8 (203)	13-1/4 (343)	34 (864)
0606		500 (236)					5-7/8 (149)		7 (178)	13 (330)	
0705	700 (330)	350 (165)	24 (610)	12 (305)	10 (254)	6-7/8 (175)	4-7/8 (124)	38-1/2 (978)	7 (178)	13 (330)	34 (864)
0706		500 (236)					5-7/8 (149)		6 (152)	12-1/2 (318)	
0707		700 (330)					6-7/8 (175)		5 (127)	12 (305)	
0806	1000 (472)	500 (236)	24 (610)	12 (305)	10 (254)	7-7/8 (200)	5-7/8 (149)	38-1/2 (978)	5 (127)	12 (305)	34 (864)
0807		700 (330)					6-7/8 (175)		4 (102)	11-1/2 (292)	
0808		1000 (472)					7-7/8 (200)		3 (76)	11 (279)	
1007	1500 (708)	700 (300)	28 (711)	14 (356)	12-1/2 (318)	9-7/8 (251)	6-7/8 (175)	42-1/2 (1080)	6 (152)	14-1/2 (368)	38 (965)
1008		1000 (472)					7-7/8 (200)		5 (127)	14 (356)	
1010		1500 (708)					9-7/8 (251)		3 (76)	13 (330)	
1208	2300 (1085)	1000 (472)	32 (813)	16 (406)	15 (381)	11-7/8 (302)	7-7/8 (200)	44-1/2 (1130)	7 (178)	17 (432)	42 (1067)
1210		1500 (708)					9-7/8 (251)		5 (127)	14 (356)	
1212		2300 (1085)					11-7/8 (302)		3 (76)	15 (381)	
1410	3100 (1463)	1500 (708)	36 (914)	20 (508)	17-1/2 (445)	13-7/8 (353)	9-7/8 (251)	45-1/2 (1156)	7 (178)	19 (483)	46 (1168)
1412		2300 (1085)					11-7/8 (302)		5 (127)	18 (457)	
1414		3100 (1463)					13-7/8 (353)		3 (76)	17 (432)	
1612	4200 (1982)	2300 (1085)	40 (1016)	24 (610)	17-1/2 (445)	15-7/8 (403)	11-7/8 (302)	48-1/2 (1232)	7 (178)	21 (533)	50 (1270)
1614		3100 (1463)					13-7/8 (353)		5 (127)	20 (508)	
1616		4200 (1982)					15-7/8 (403)		3 (76)	19 (483)	