

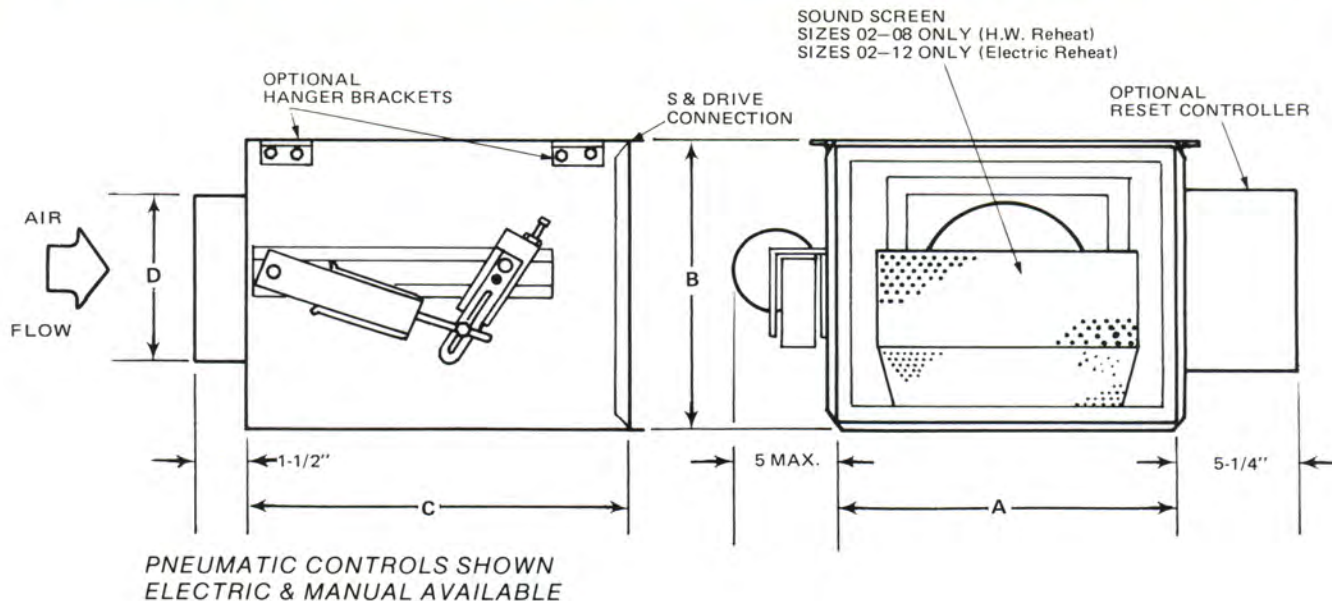
**The Carnes Model AVR B** is available as a basic control unit with hot water reheat and open end discharge, with an optional sound attenuator module, optional multi-discharge adaptor module, or optional electric heater with sleeve module. This unit offers low pressure drop, low sound levels and valve characteristics which create stable control conditions within the conditioned space.

**Other Features Include:**

- Air flow capacities to 6,000 CFM.
- Pneumatic, electric or manual damper control.
- Open-end discharge units are provided with S and Drive connection for easy installation.
- Thermally and acoustically insulated casings.
- Multi-Discharge adaptors have round outlet connections with integral balancing dampers.
- Air flow sensor at inlet of unit.
- Optional hanger brackets.

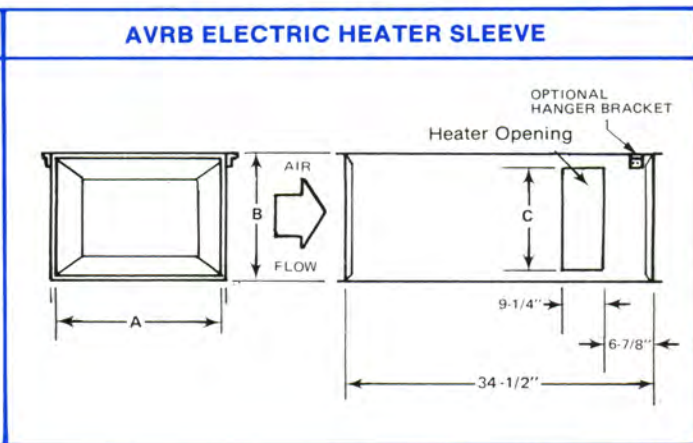
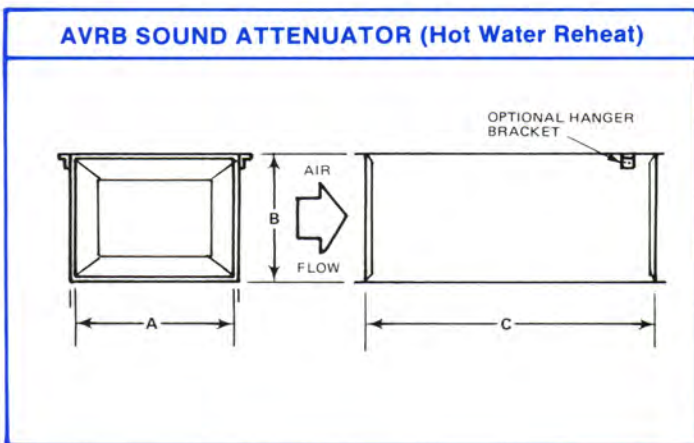
**Available Modules:**

- Basic control unit with hot water coil.
- Sound attenuator.
- Multi-Discharge adaptor.
- Heater sleeve for field installation of electric heater.
- Heater sleeve with factory installed electric heater.

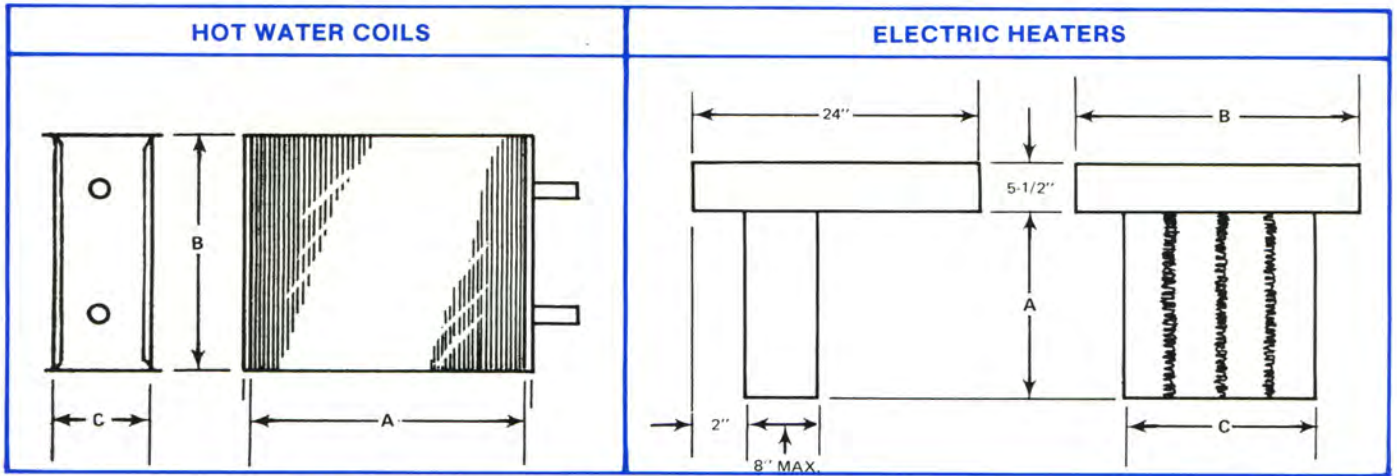


DIMENSIONS LISTED IN INCHES																					
Unit Size	AVRB (HOT WATER REHEAT)					Sound Attenuator				Unit Size	AVRB (ELECTRIC REHEAT)					Electric Heater Sleeve					
	Control Unit					A	B	C	Weight		A	B	C	Weight	Control Unit					A	B
02	10	8	11-1/4	5	8-1/2	10	8	34-1/2	14	02	10	8	11-1/4	5	8-1/2	10	8	4-1/2	14		
04	10	8	11-1/4	6	8-1/2	10	8	34-1/2	14	04	10	8	11-1/4	6	8-1/2	10	8	4-1/2	14		
06	12	10	13-1/4	7	13	12	10	34-1/2	17	06	12	10	13-1/4	7	13	12	10	6-1/2	17		
08	14	12	15-1/4	8	16-1/2	14	12	34-1/2	17	08	12	10	13-1/4	8	13	12	10	6-1/2	17		
12	16	14	17-1/4	10	23	16	14	34-1/2	20	12	14	12	15-1/4	10	16-1/2	14	12	8-1/2	20		
16	18	16	19-1/4	12	27	18	16	22-1/2	17	16	16	14	17-1/4	12	23	16	14	10-1/2	23		
24	20	18	21-1/4	14	33-1/2	20	18	22-1/2	19	24	18	16	19-1/4	14	27	18	16	12-1/2	26		
32	24	18	21-1/4	16	37	24	18	22-1/2	20	32	20	18	21-1/4	16	33-1/2	20	18	14-1/2	28		
45	32	18	21-1/4	16 x 18	47	32	18	22-1/2	24	45	24	18	21-1/4	16 x 18	37	24	18	14-1/2	30		
60	32	18	21-1/4	16 x 24	47	32	18	22-1/2	24	60	32	18	21-1/4	16 x 24	47	32	18	14-1/2	36		

\*Less Controls



### 3 Dimensional Data—Model AVR B—Throttling Unit With Reheat

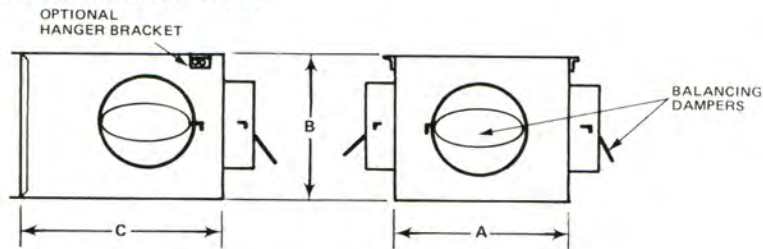


AVRB COIL AND HEATER DIMENSIONS IN INCHES

UNIT SIZE	HOT WATER COILS						ELECTRIC HEATERS						
	A	B	C		O.D. COIL CONN.		WEIGHT (lbs.)		UNIT SIZE	A	B	C	WEIGHT (lbs.)
			1 ROW	2 ROW	1 ROW	2 ROW	1 ROW	2 ROW					
02	10	8	3-1/8	4-1/2	1/2	1/2	3-1/2	4-1/2	02	8-1/4	8	4	5
04	10	8	3-1/8	4-1/2	1/2	1/2	3-1/2	4-1/2	04	8-1/4	8	4	5
06	12	10	3-1/8	4-1/2	1/2	1/2	4	6	06	10-1/4	10	6	10
08	14	12	3-1/8	4-1/2	1/2	1/2	4-1/2	7-1/2	08	10-1/4	10	6	10
12	16	14	3-1/8	4-1/2	1/2	5/8	6	11	12	12-1/4	12	8	10
16	18	16	3-1/8	4-1/2	1/2	5/8	7	13	16	14-1/4	14	10	10
24	20	18	3-1/8	4-1/2	5/8	3/4	8	14	24	16-1/4	16	12	23
32	24	18	3-1/8	4-1/2	5/8	3/4	9-1/2	16	32	18-1/4	18	14	32
45	32	18	3-1/8	4-1/2	5/8	3/4	12	21	45	22-1/4	18	14	42
60	32	18	3-1/8	4-1/2	5/8	3/4	12	21	60	30-1/4	18	14	74

NOTE: Hot water coil connections and electric heater may be ordered as right or left hand, determined by facing the direction of air flow.

### AVRB MULTI-DISCHARGE ADAPTOR



(TOP VIEW)

MODEL	UNIT SIZE	AIR FLOW LEFT TO RIGHT		DIMENSIONS		DIMENSION		DIMENSION		DIMENSION		DIMENSION		DIMENSION		DIMENSION	
		A	B	A	B	C	C	C	C	C	C	C	C	C	C	C	
AVRB (Hot Water Reheat)	02	10	8	6,7	11-3/4	5,6	11-3/4	5,6	11-3/4	5,6	23-3/4	6,7	23-3/4	6,7	23-3/4	6,7	35-3/4
	04	10	8	7	11-3/4	6,7	11-3/4	5,6	11-3/4	5	23-3/4	7,8	23-3/4	7,8	23-3/4	7,8	35-3/4
	06	12	10	8	11-3/4	7,8	11-3/4	5,6	11-3/4	5	23-3/4	8,10	23-3/4	8,10	23-3/4	8,10	35-3/4
	08	14	12		11-3/4	10	11-3/4	5,6	11-3/4	5	23-3/4	8,10	23-3/4	8,10	23-3/4	8,10	35-3/4
	12	16	14		11-3/4	10	11-3/4	5,6	11-3/4	5	23-3/4	8,10	23-3/4	8,10	23-3/4	8,10	35-3/4
	16	18	16		11-3/4	10	11-3/4	5,6	11-3/4	5	23-3/4	8,10	23-3/4	8,10	23-3/4	8,10	35-3/4
	24	20	18		11-3/4	10	11-3/4	5,6	11-3/4	5	23-3/4	8,10	23-3/4	8,10	23-3/4	8,10	35-3/4
	32	24	18		11-3/4	10	11-3/4	5,6	11-3/4	5	23-3/4	8,10	23-3/4	8,10	23-3/4	8,10	35-3/4
	45/60	32	18		11-3/4	10	11-3/4	5,6	11-3/4	5	23-3/4	8,10	23-3/4	8,10	23-3/4	8,10	35-3/4
	AVRB (Electric Reheat)	02	10	8	6,7	11-3/4	5,6	11-3/4	5,6	11-3/4	5	23-3/4	6,7	23-3/4	6,7	23-3/4	6,7
04		10	8	7	11-3/4	6,7	11-3/4	5,6	11-3/4	5	23-3/4	7,8	23-3/4	7,8	23-3/4	7,8	35-3/4
06		12	10	8	11-3/4	7,8	11-3/4	5,6	11-3/4	5	23-3/4	8,10	23-3/4	8,10	23-3/4	8,10	35-3/4
08		12	10		11-3/4	8	11-3/4	5,6	11-3/4	5	23-3/4	8,10	23-3/4	8,10	23-3/4	8,10	35-3/4
12		14	12		11-3/4	10	11-3/4	5,6	11-3/4	5	23-3/4	8,10	23-3/4	8,10	23-3/4	8,10	35-3/4
16		16	14		11-3/4	10	11-3/4	5,6	11-3/4	5	23-3/4	8,10	23-3/4	8,10	23-3/4	8,10	35-3/4
24		18	16		11-3/4	10	11-3/4	5,6	11-3/4	5	23-3/4	8,10	23-3/4	8,10	23-3/4	8,10	35-3/4
32		20	18		11-3/4	10	11-3/4	5,6	11-3/4	5	23-3/4	8,10	23-3/4	8,10	23-3/4	8,10	35-3/4
45		24	18		11-3/4	10	11-3/4	5,6	11-3/4	5	23-3/4	8,10	23-3/4	8,10	23-3/4	8,10	35-3/4
60		32	18		11-3/4	10	11-3/4	5,6	11-3/4	5	23-3/4	8,10	23-3/4	8,10	23-3/4	8,10	35-3/4

NOTES: 1. All dimensions in inches 2. All outlets are round with diameter dimensions given