**MODEL AVWC**

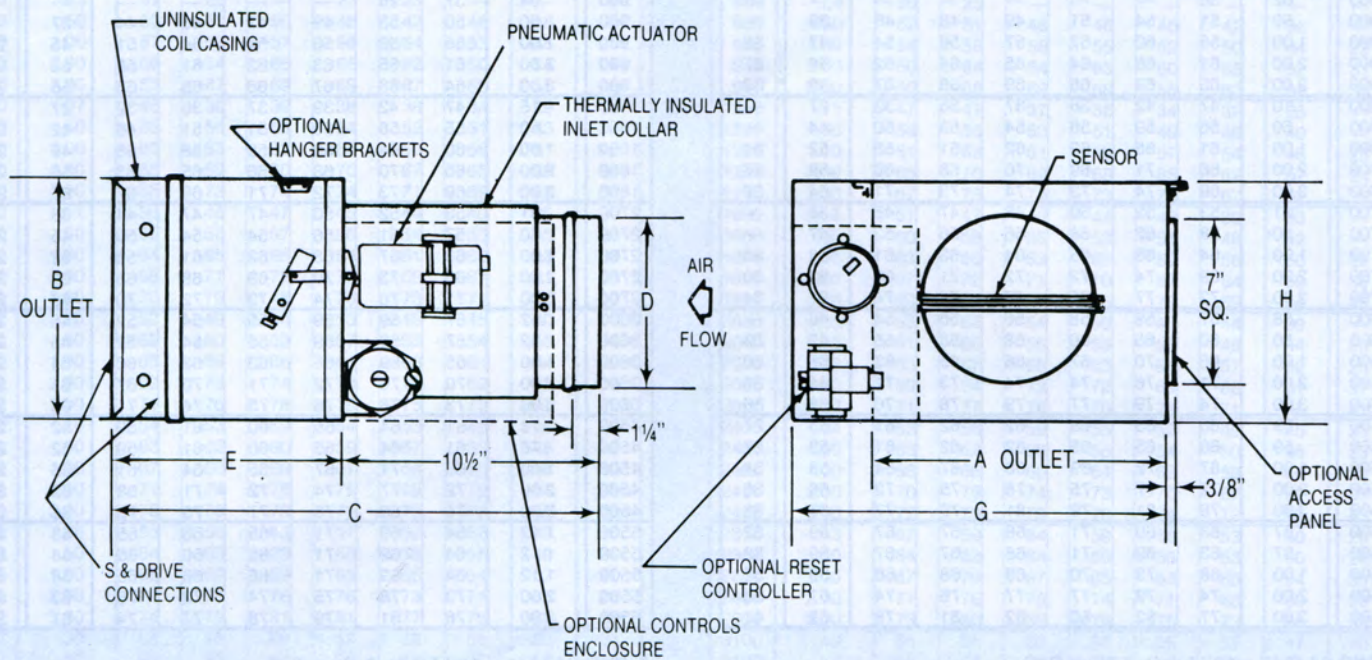
The **Carnes Model AVWC** is available as a basic control unit with hot water reheat and open end discharge, with an optional sound attenuator module, and optional multi-discharge adaptor module. This unit offers low pressure drop, low sound levels, and valve characteristics which create stable control conditions within the conditioned space.

Other Features Include:

- Air flow capacities from full shut-off to 7,300 CFM (0-3,000 FPM for each unit size).
- One or two row hot water coil factory attached with slip and drive connections..
- Unit discharge provided with slip and drive connection for easy installation.
- Thermally and acoustically insulated casings meet UL and NFPA standards.
- Low leakage damper design.
- Averaging type air flow sensor at inlet of unit.
- Pneumatic, electric, electronic, or manual control options available.
- Optional pressure independent and pressure dependent controls.
- Optional hanger brackets.
- Optional foil coated insulation (hospital, laboratory, etc. applications)(available with basic control unit only).
- Optional controls enclosure.
- Optional access panel for component inspection.
- Multi-discharge adaptors have round outlet connections with integral balancing dampers.

Available Modules:

- Basic Control Unit with hot water coil — Model AVWC (See Section 3 for coil data).
- Sound Attenuator — Model AXAB (See Section 5—Accessories).
- Multi-Discharge Adaptor — Model AXMB (See Section 5—Accessories).

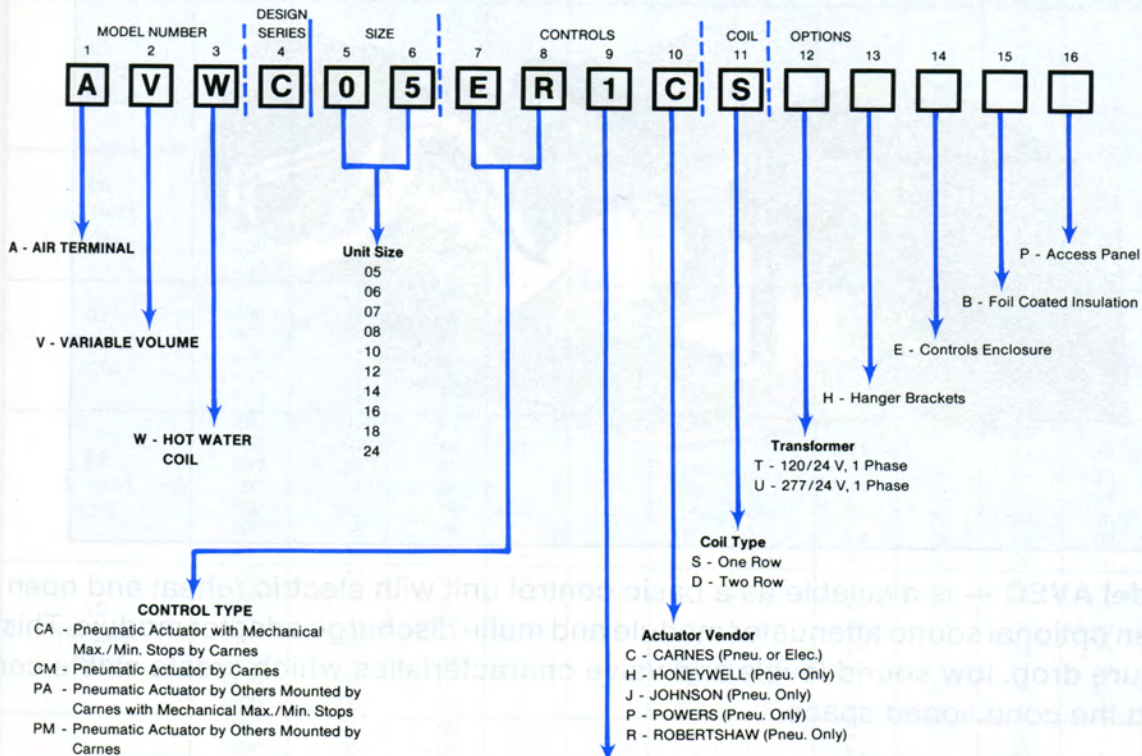


PNEUMATIC CONTROLS SHOWN. ELECTRIC/ELECTRONIC AND MANUAL AVAILABLE.

— LEFT HAND CONTROLS AND COIL CONNECTION SHOWN. RIGHT HAND AVAILABLE. CONTROLS AND COIL CONNECTION MUST BE LOCATED ON SAME SIDE OF UNIT.

DIMENSIONS LISTED IN INCHES

Unit Size	CFM Range	A	B	1-Row Coil		2-Row Coil		D	1-Row Coil		2-Row Coil		G	H	O.D. Coil Conn.	
				C	w/Access Panel	C	w/Access Panel		E	w/Access Panel	E	w/Access Panel			1-Row Coil	2-Row Coil
05	0-350	12	7 1/2	19 3/8	23 3/8	21	25	4 7/8	9 1/8	13 3/8	10 1/2	14 1/2	15 3/8	10 1/8	1/2	1/2
06	0-500	12	7 1/2	19 3/8	23 3/8	21	25	5 7/8	9 3/8	13 3/8	10 1/2	14 1/2	15 3/8	10 1/8	1/2	1/2
07	0-700	12	10	20 3/8	23 3/8	22	25	6 7/8	10 3/8	13 3/8	11 1/2	14 1/2	15 3/8	10 1/8	1/2	1/2
08	0-1000	12	10	20 3/8	23 3/8	22	25	7 7/8	10 3/8	13 3/8	11 1/2	14 1/2	15 3/8	10 1/8	1/2	1/2
10	0-1500	14	12 1/2	21 3/8	23 3/8	23	25	9 7/8	11 3/8	13 3/8	12 1/2	14 1/2	17 3/8	12 3/8	1/2	5/8
12	0-2300	16	15	22 3/8	23 3/8	24	25	11 1/8	12 3/8	13 3/8	13 1/2	14 1/2	19 3/8	15 3/8	1/2	5/8
14	0-3100	20	17 1/2	23 3/8	23 3/8	25	25	13 3/8	13 3/8	13 3/8	14 1/2	14 1/2	23 3/8	17 3/8	5/8	7/8
16	0-4200	24	17 1/2	24 3/8	24 3/8	26	26	15 3/8	14 3/8	14 3/8	15 1/2	15 1/2	27 3/8	17 3/8	5/8	7/8
18	0-5500	32	17 1/2	26 3/8	26 3/8	28	28	15 3/8x17 3/8	16 3/8	16 3/8	17 1/2	17 1/2	36 3/8	17 3/8	5/8	7/8
24	0-7300	32	17 1/2	26 3/8	26 3/8	28	28	15 3/8x23 3/8	16 3/8	16 3/8	17 1/2	17 1/2	36 3/8	17 3/8	5/8	7/8



- CONTROL TYPE**
- CA - Pneumatic Actuator with Mechanical Max./Min. Stops by Carnes
 - CM - Pneumatic Actuator by Carnes
 - PA - Pneumatic Actuator by Others Mounted by Carnes with Mechanical Max./Min. Stops
 - PM - Pneumatic Actuator by Others Mounted by Carnes
 - CE - Pneumatic Actuator by Carnes Reset Controller by Carnes
 - PE - Pneumatic Actuator by Others Mounted by Carnes, Reset Controller by Carnes
 - ER - Electric Actuator with Reheat Switch by Carnes
 - EK - Electric Actuator with (2) Reheat Switches by Carnes
 - ES - Electronic Reset Controller w/Reheat Sequencing, Dual Minimum Control, Night Setback, Morning Warmup, and Actuator by Carnes
 - ET - Electronic Reset Controller w/Reheat Sequencing, Dual Minimum Control, Night Setback and Actuator by Carnes (Less Morning Warmup)
 - MA - Manual Damper by Carnes

- Actuator Vendor**
- C - CARNES (Pneu. or Elec.)
 - H - HONEYWELL (Pneu. Only)
 - J - JOHNSON (Pneu. Only)
 - P - POWERS (Pneu. Only)
 - R - ROBERTSHAW (Pneu. Only)

- CONTROLS, DAMPER AND COIL ARRANGEMENT**
- 1 - Normally Open—Right Hand Controls* & Coil Tubing Connections
(All Electric/Electronic/Manual Control Types)
(All Pneumatic Control Types for Reverse Acting Thermostat)
 - 2 - Normally Open—Left Hand Controls* & Coil Tubing Connections
(All Electric/Electronic/Manual Control Types)
(All Pneumatic Control Types for Reverse Acting Thermostat)
 - 3 - Normally Closed—Right Hand Controls & Coil Tubing Connections
(All Pneumatic Control Types for Direct Acting Thermostat)
 - 4 - Normally Closed—Left Hand Controls & Coil Tubing Connections
(All Pneumatic Control Types for Direct Acting Thermostat)
 - 5 - Normally Open—Right Hand Controls & Coil Tubing Connections
(All Pneumatic Control Types for Direct Acting Thermostat)
 - 6 - Normally Open—Left Hand Controls & Coil Tubing Connections
(All Pneumatic Control Types for Direct Acting Thermostat)
 - 7 - Normally Closed—Right Hand Controls & Coil Tubing Connections
(All Pneumatic Control Types for Reverse Acting Thermostat)
 - 8 - Normally Closed—Left Hand Controls & Coil Tubing Connections
(All Pneumatic Control Types for Reverse Acting Thermostat)

*Electric/Electronic units do not fail open. "1" or "2" are used for model numbering only.
(Refer to controls section of this catalog for additional operating information.)

A Carnes Thermostat **must be ordered** for compatibility with ES and ET Control Options.

- NOTES:**
1. Hand is determined by facing the unit in the direction of air flow into the unit from supply duct.
 2. Control unit and coil are factory attached.