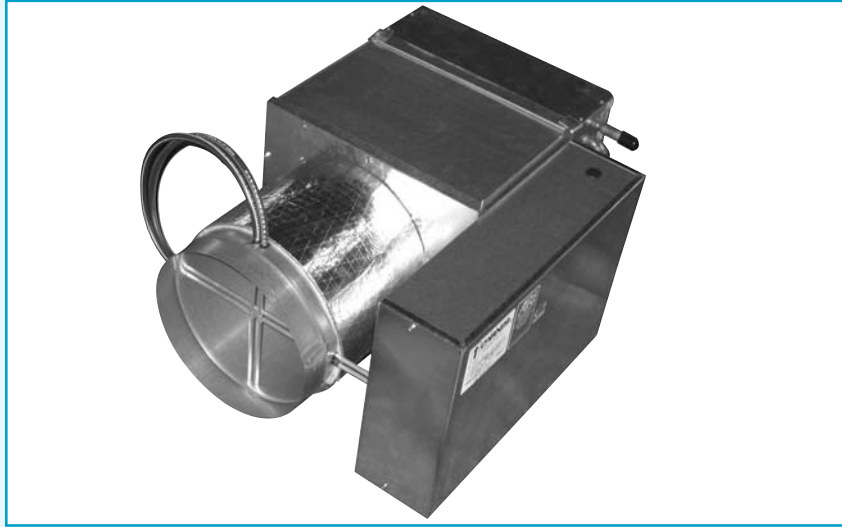


**SINGLE DUCT w/HOT WATER HEAT – Model AVW****Model AVW**

The Carnes Model AVW is available as a basic control unit with hot water reheat and open end discharge, with an optional sound attenuator module, and optional multi-discharge adapter module. This unit offers low

pressure drop, low sound levels, and valve characteristics which create stable control conditions within the conditioned space.

*Features Include:*

- Air flow capacities from full shut-off to 7,300 CFM (0-3,000 FPM for each unit size).
- One or two row hot water coils come factory attached with slip and drive connections.
- Unit discharge provided with slip and drive connection for easy installation.
- Thermally and acoustically insulated casing meets **UL** and **NFPA** standards. (*Water coil casing is uninsulated.*)
- Low leakage damper design.
- Pneumatic, electric, electronic, or manual control options available.
- Averaging type air flow sensor at inlet of unit.
- Optional cross flow averaging type velocity sensor at inlet of unit.
- Optional pressure independent and pressure dependent controls.
- Optional hanger brackets.
- Optional internal foil faced insulation.
- Optional fiber-free lining.
- Optional controls enclosure.
- Optional access panel for component inspection.
- Multi-discharge adapters have round outlet connections with integral balancing dampers.
- ARI certified product.

*Available Modules:*

- Basic Control Unit with hot water coil — **Model AVW**
- Sound Attenuator — **Model AXA**
- Multi-Discharge Adapter — **Model AXM**



Foil Faced Insulation  
Available



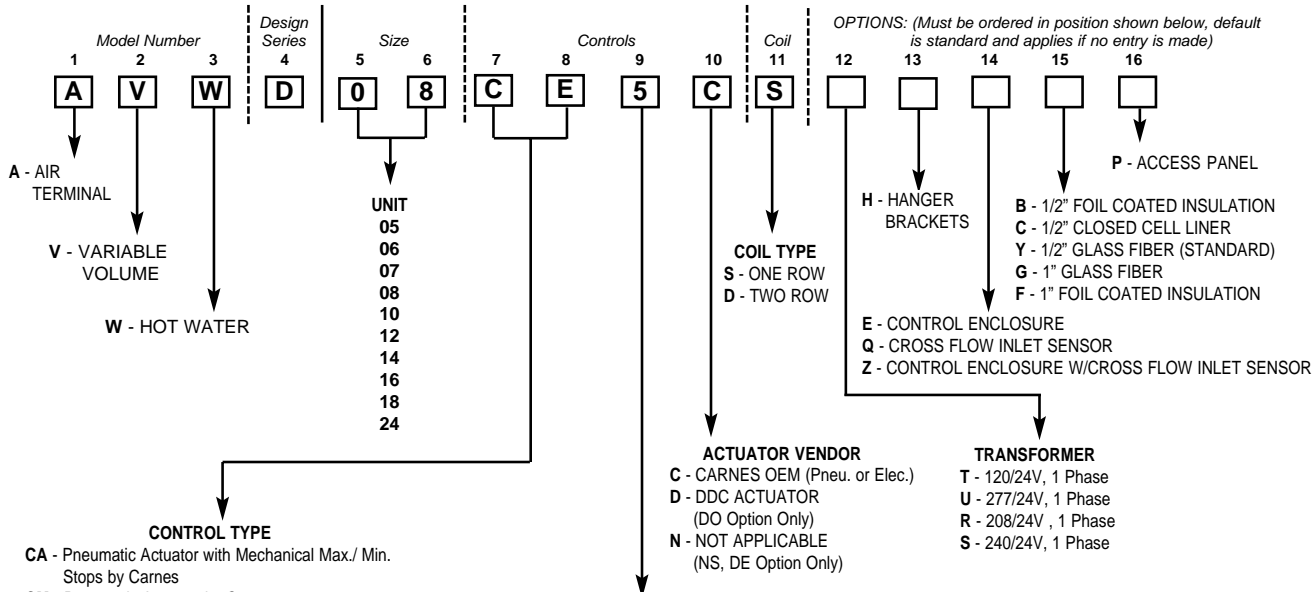
A Participating Member  
in the ARI 880  
Certification Program







## MODEL NUMBERING SYSTEM - Model AVW



- CONTROL TYPE**
- CA - Pneumatic Actuator with Mechanical Max./ Min. Stops by Carnes
  - CM - Pneumatic Actuator by Carnes
  - CE - Pneumatic Actuator by Carnes, Reset Controller by Carnes
  - CX - Pneumatic Actuator by Carnes (Multi-function) Reset Controller by Carnes
  - ER - Electric Actuator with Reheat Switch by Carnes
  - EK - Electric Actuator with (2) Reheat Switches by Carnes
  - ET - Analog Electronic Velocity Controller with Integral Damper Actuator (Enclosure Included)
  - DO - DDC provided by Others, Mounted and Wired by Carnes, w/Carnes Inlet Sensor, w/3/8" Damper Shaft, w/Enclosure
  - DE - DDC enclosure w/Carnes Inlet Sensor, w/Bare 3/8" Damper Shaft
  - MA - Manual Damper by Carnes
  - NS - No Damper Controls, w/Carnes Inlet Sensor, w/Bare 3/8" Damper Shaft (No Enclosure)

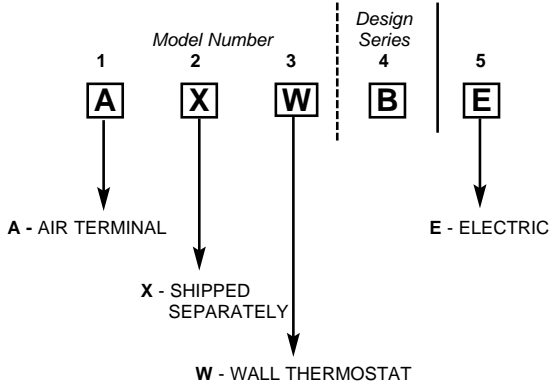
**CONTROLS, DAMPERS AND COIL ARRANGEMENTS**

- \*1 - Normally Open - Right Hand Controls (All Electric/Electronic/Manual Control Types/DO, DE, NS) (All Pneumatic Control Types for Reverse Acting Thermostat)
- \*2 - Normally Open - Left Hand Controls (All Electric/Electronic/Manual Control types/DO, DE, NS) (All Pneumatic Control Types for Reverse Acting Thermostat)
- 3 - Normally Closed - Right Hand Controls (All Pneumatic Control Types for Direct Acting Thermostat)
- 4 - Normally Closed - Left Hand Controls (All Pneumatic Control Types for Direct Acting Thermostat)
- 5 - Normally Open - Right Hand Controls (All Pneumatic Control Types for Direct Acting Thermostat)
- 6 - Normally Open - Left Hand Controls (All Pneumatic Control Types for Direct Acting Thermostat)
- 7 - Normally Closed - Right Hand Controls (All Pneumatic Control Types for Reverse Acting Thermostat)
- 8 - Normally Closed - Left Hand Controls (All Pneumatic Control Types for Reverse Acting Thermostat)

**NOTE:** Hand of controls is determined by facing the averaging flow sensor (inlet of the unit) with the supply air hitting the back of your head.

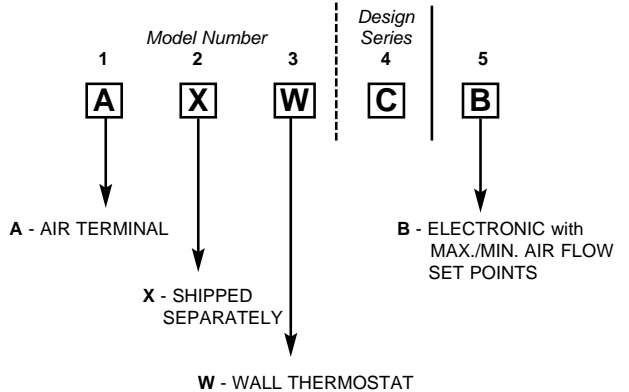
\* Electric, Electronic and DDC Units **DO NOT** fail open. '1' or '2' is used for Right or Left Hand Only. Electric/Electronic Units are shipped with the Damper in the Open Position.

### Electric Thermostat



A Carnes Electric Thermostat **must be ordered** with the Electric ER and EK Control Options

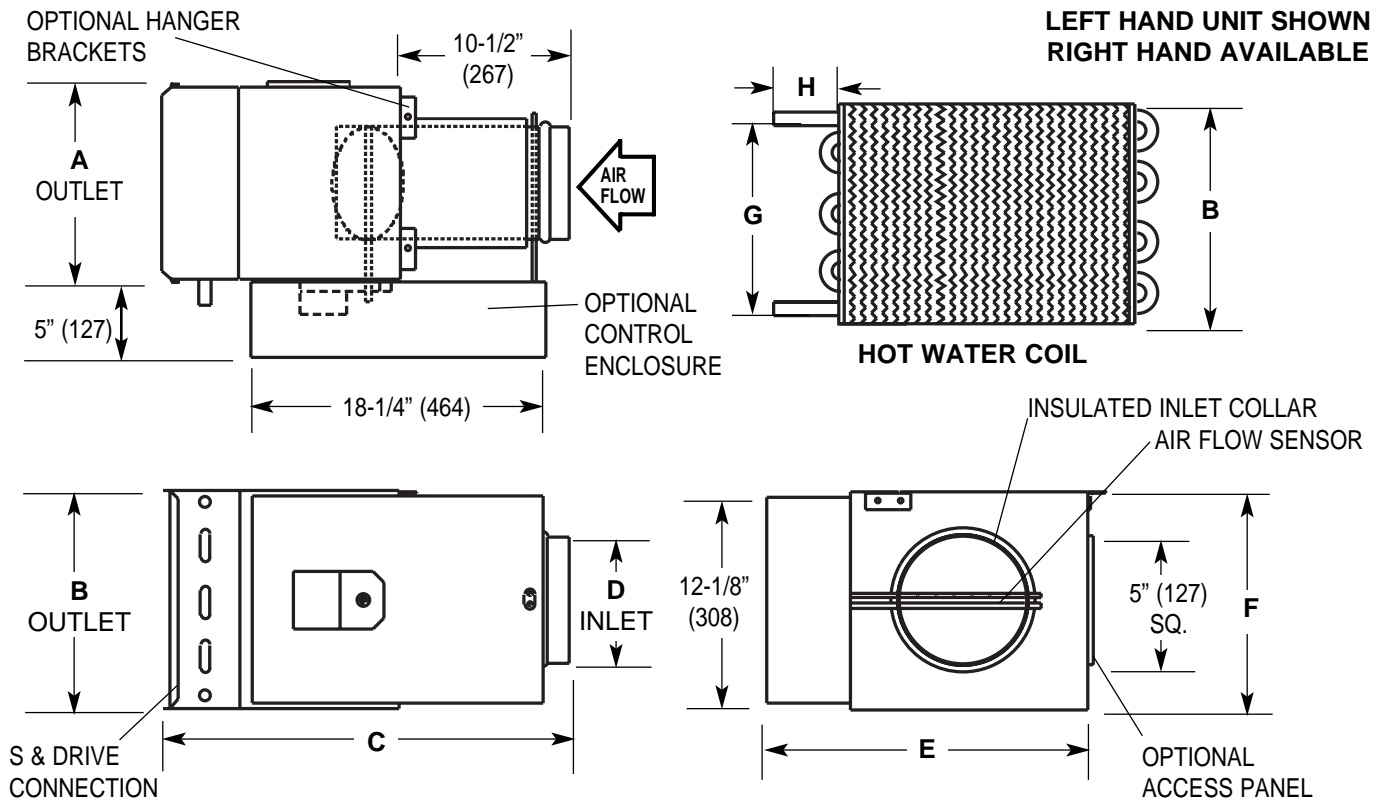
### Electronic Thermostat



A Carnes Electronic Thermostat **must be ordered** with the Electronic ET Control Option

# DIMENSIONAL DATA – Model AVW

NON FAN POWERED UNITS



**DIMENSIONAL LISTED IN INCHES (Millimeters)**

Unit Size	CFM Range	Outlet		1-Row	2-Row	Inlet	E	F	1-Row		2-Row		O.D. Conn.	
		A	B	C	C	D			G	H Max.	G	H Max.	1-Row Coil	2-Row Coil
05	0-350 (0-165)	12 (305)	7-1/2 (191)	23-5/8 (600)	25 (635)	4-7/8 (124)	17 (432)	7-5/8 (194)	6-1/4 (158)	3 (76)	6-7/8 (175)	3 (76)	1/2 (13)	1/2 (13)
06	0-500 (0-236)	12 (305)	7-1/2 (191)	23-5/8 (600)	25 (635)	5-7/8 (149)	17 (432)	7-5/8 (194)	6-1/4 (158)	3 (76)	6-7/8 (175)	3 (76)	1/2 (13)	1/2 (13)
07	0-700 (0-330)	12 (305)	10 (254)	23-5/8 (600)	25 (635)	6-7/8 (175)	17 (432)	10-1/8 (257)	8-3/4 (222)	3 (76)	9-3/8 (238)	3 (76)	1/2 (13)	5/8 (16)
08	0-1000 (0-472)	12 (305)	10 (254)	23-5/8 (600)	25 (635)	7-7/8 (200)	17 (432)	10-1/8 (257)	8-3/4 (222)	3 (76)	9-3/8 (238)	3 (76)	1/2 (13)	5/8 (16)
10	0-1500 (0-708)	14 (356)	12-1/2 (318)	23-5/8 (600)	25 (635)	9-7/8 (251)	19 (483)	12-5/8 (320)	11-1/4 (286)	3 (76)	11-7/8 (302)	3 (76)	1/2 (13)	5/8 (16)
12	0-2300 (0-1085)	16 (406)	15 (381)	23-5/8 (600)	25 (635)	11-7/8 (302)	21 (533)	15-1/8 (381)	13-3/4 (349)	3-1/2 (89)	13 (329)	4 (102)	5/8 (16)	7/8 (22)
14	0-3100 (0-1463)	20 (508)	17-1/2 (445)	23-5/8 (600)	25 (635)	13-7/8 (352)	25 (635)	17-5/8 (447)	16-1/4 (412)	3-1/2 (89)	15-1/2 (393)	4 (102)	5/8 (16)	7/8 (22)
16	0-4200 (0-1982)	24 (610)	17-1/2 (445)	24-5/8 (625)	26 (660)	15-7/8 (403)	29 (737)	17-5/8 (447)	16-1/4 (412)	3-1/2 (89)	15-1/2 (393)	4 (102)	5/8 (16)	7/8 (22)
18	0-5500 (0-2596)	32 (813)	17-1/2 (445)	26-5/8 (676)	28 (711)	15-7/8x17-7/8 (403x454)	37 (939)	17-5/8 (447)	16-1/4 (412)	3-1/2 (89)	15-1/2 (393)	4 (102)	5/8 (16)	7/8 (22)
24	0-7300 (0-3445)	32 (813)	17-1/2 (445)	26-5/8 (676)	28 (711)	15-7/8x23-7/8 (403x606)	37 (939)	17-5/8 (447)	16-1/4 (412)	3-1/2 (89)	15-1/2 (393)	4 (102)	5/8 (16)	7/8 (22)