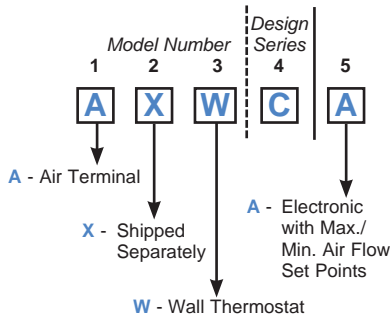


CONTROL TYPE

- CE** - Pneumatic Actuator by Carnes, Reset Controller by Carnes
- CX** - Pneumatic Actuator by Carnes, (Multi-function) Reset Controller by Carnes
- ET** - Analog Electronic Velocity Controller with Integral Damper Actuator
- DD** - SimplyVAV, DDC by Carnes
- DO** - DDC Provided by Others, Mounted and Wired by Carnes, with Carnes Inlet Sensor, with 3/8" Damper Shaft, with Enclosure
- DE** - No Damper Controls. Enclosure with Carnes Inlet Sensor and Bare 3/8" Damper Shaft

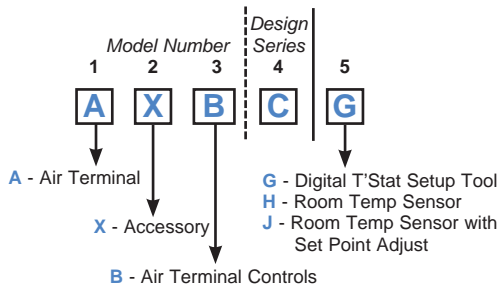
NOTE: Hand of controls is determined by facing the averaging flow sensor (inlet of the unit) with the supply air hitting the back of your head.

▼ Electronic Thermostat



A Carnes Electronic Thermostat **must be ordered** with the ET Electronic Control Option.

▼ Direct Digital Control (DD/DC/DM)



ACTUATOR VENDOR

- C** - Carnes OEM
- D** - DDC Actuator (DO Option Only)
- N** - Not Applicable (DE Option Only)

CONTROLS AND DAMPER ARRANGEMENT

- *1** - Normally Open - Right Hand Controls (Electronic/DO, DE, ET) (All Pneumatic Control Types for Reverse Acting Thermostat)
- *2** - Normally Open - Left Hand Controls (Electronic/DO, DE, ET) (All Pneumatic Control Types for Reverse Acting Thermostat)
- 3** - Normally Closed - Right Hand Controls (All Pneumatic Control Types for Direct Acting Thermostat)
- 4** - Normally Closed - Left Hand Controls (All Pneumatic Control Types for Direct Acting Thermostat)
- 5** - Normally Open - Right Hand Controls (All Pneumatic Control Types for Direct Acting Thermostat)
- 6** - Normally Open - Left Hand Controls (All Pneumatic Control Types for Direct Acting Thermostat)
- 7** - Normally Closed - Right Hand Controls (All Pneumatic Control Types for Reverse Acting Thermostat)
- 8** - Normally Closed - Left Hand Controls (All Pneumatic Control Types for Reverse Acting Thermostat)

* Electronic and DDC Units **DO NOT** fail open. '1' or '2' is used for Right or Left Hand Only. Electronic Units are shipped with the Damper in the Open Position.