

- CONTROL TYPE**
- CA** - Pneumatic Actuator with Mechanical Max./ Min. Stops by Carnes
 - CM** - Pneumatic Actuator by Carnes
 - CE** - Pneumatic Actuator by Carnes, Reset Controller by Carnes
 - CX** - Pneumatic Actuator by Carnes (Multi-function) Reset Controller by Carnes
 - ET** - Analog Electronic Velocity Controller with Integral Damper Actuator (Enclosure Included)
 - DD** - SimplyVAV, DDC by Carnes for Staged Heat
 - DM** - SimplyVAV, DDC by Carnes for Modulating Heat
 - DO** - DDC provided by Others, Mounted and Wired by Carnes, w/Carnes Inlet Sensor, w/3/8" Damper Shaft, w/Enclosure
 - DE** - No Damper Controls. Enclosure w/Carnes Inlet Sensor, w/Bare 3/8" Damper Shaft
 - MA** - Manual Damper by Carnes
 - NS** - No Damper Controls, w/Carnes Inlet Sensor, w/Bare 3/8" Damper Shaft (No Enclosure)

- ACTUATOR VENDOR**
- C** - Carnes OEM
 - D** - DDC Actuator (DO Option Only)
 - N** - Not Applicable (NS, DE Option Only)

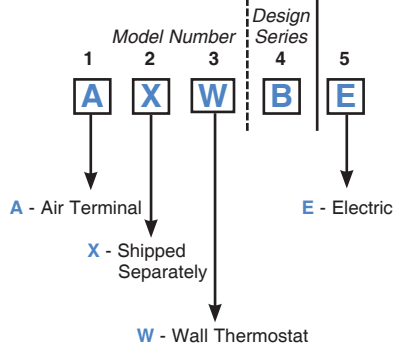
- CONTROLS, DAMPERS AND COIL ARRANGEMENTS**
- *1** - Normally Open - Right Hand Controls (All Electric/Electronic/Manual Control Types/DO, DE, NS) (All Pneumatic Control Types for Reverse Acting Thermostat)
 - *2** - Normally Open - Left Hand Controls (All Electric/Electronic/Manual Control Types/DO, DE, NS) (All Pneumatic Control Types for Reverse Acting Thermostat)
 - 3** - Normally Closed - Right Hand Controls (All Pneumatic Control Types for Direct Acting Thermostat)
 - 4** - Normally Closed - Left Hand Controls (All Pneumatic Control Types for Direct Acting Thermostat)
 - 5** - Normally Open - Right Hand Controls (All Pneumatic Control Types for Direct Acting Thermostat)
 - 6** - Normally Open - Left Hand Controls (All Pneumatic Control Types for Direct Acting Thermostat)
 - 7** - Normally Closed - Right Hand Controls (All Pneumatic Control Types for Reverse Acting Thermostat)
 - 8** - Normally Closed - Left Hand Controls (All Pneumatic Control Types for Reverse Acting Thermostat)

- OPTIONS: (Must be ordered in position shown below, default is standard and applies if no entry is made)**
- B** - 1/2" Foil Coated Insulation
 - Y** - 1/2" Standard Insulation
 - C** - Closed Cell Liner
 - D** - Dual Wall Construction (Not for size 18/24)
 - G** - 1" Glass Fiber Insulation
 - F** - 1" Foil Coated Insulation
 - K** - 1" Internal Rigid Insulation (Not for size 18/24)
 - H** - 1" External Rigid Insulation (Not for size 18/24)
 - P** - Dual Wall, Perforated Liner (Not for size 18/24)
 - N** - No Insulation

* Electric, Electronic and DDC Units **DO NOT** fail open. '1' or '2' is used for Right or Left Hand Only. Electric/Electronic Units are shipped with the Damper in the Open Position.

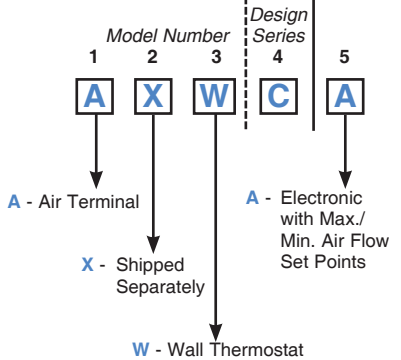
NOTE: Hand of controls is determined by facing the averaging flow sensor (inlet of the unit) with the supply air hitting the back of your head.

▼ Electric Thermostat



A Carnes Electric Thermostat **must be ordered** with the Electric EA and EB Control Options.

▼ Electronic Thermostat



A Carnes Electronic Thermostat **must be ordered** with the ET Electronic Control Option.

▼ Direct Digital Control (DD/DC/DM)

