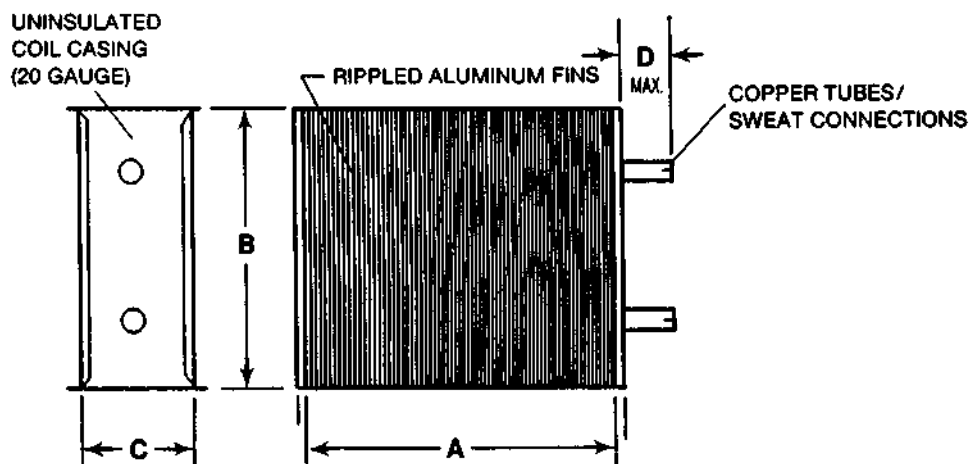


COIL DIMENSIONS (Listed in Inches)									
Unit & Size		Coil Size		C		1 - Row	2 - Row	O.D. Coil Connection	
AVW	ABW	A	B	1 - Row	2 - Row	D. Max	D Max.	1 - Row	2 - Row
5/6	---	12	8	3 1/8	4 1/2	3	3	1/2	1/2
7/8	6/7/8	12	10	3 1/8	4 1/2	3	3	1/2	5/8
---	---	14	10	3 1/8	4 1/2	3	3	1/2	5/8
10	10	14	12 1/2	3 1/8	4 1/2	3	3	1/2	5/8
---	---	16	12 1/2	3 1/8	4 1/2	3	3	1/2	5/8
12	12	16	15	3 1/8	4 1/2	3 1/2	4	5/8	7/8
14	14	20	17 1/2	3 1/8	4 1/2	3 1/2	4	5/8	7/8
16	16	24	18	3 1/8	4 1/2	3 1/2	4	5/8	7/8
---	---	24	20	3 1/8	4 1/2	3 1/2	4	5/8	7/8
18/24	18/24	32	17 1/2	3 1/8	4 1/2	3 1/2	4	5/8	7/8
---	---	20	10	3 1/8	4 1/2	3 1/2	4	5/8	5/8
---	---	24	10	3 1/8	4 1/2	3 1/2	4	5/8	5/8
---	---	32	10	3 1/8	4 1/2	3 1/2	4	5/8	5/8

- NOTES:
1. Coil connections may be ordered as right hand or left hand, determined by facing the averaging flow sensor (inlet of unit) with the supply air hitting the back of your head.
 2. Coil is provided with slip and drive connections and is uninsulated.
 3. Standard coils are not recommended for steam.
 4. Fin spacing for all coils is 10 fins per inch.
 5. All coils are constructed using 1/2" O.D. staggered copper tubes, rippled aluminum fins and 20 gauge galvanized steel frame.
 6. GPM above or below catalog values are not recommended.

COIL DIMENSIONS (Listed in Millimeters)									
Unit & Size		Coil Size		C		1 - Row	2 - Row	O.D. Coil Connection	
AVW	ABW	A	B	1 - Row	2 - Row	D. Max	D Max.	1 - Row	2 - Row
5/6	---	305	203	79	114	76	76	13	13
7/8	6/7/8	305	254	79	114	76	76	13	16
---	---	356	254	79	114	76	76	13	16
10	10	356	318	79	114	76	76	13	16
---	---	406	318	79	114	76	76	13	16
12	12	406	381	79	114	89	102	16	22
14	14	508	445	79	114	89	102	16	22
16	16	610	457	79	114	89	102	16	22
---	---	610	508	79	114	89	102	16	22
18/24	18/24	813	445	79	114	89	102	16	22
---	---	508	254	79	114	89	102	16	16
---	---	610	254	79	114	89	102	16	16
---	---	813	254	79	114	89	102	16	16



COIL DIMENSIONS (Listed in Inches)									
Unit & Size		Coil Size		C		3 - Row	4 - Row	O.D. Coil Connection	
AVW	ABW	A	B	3 - Row	4 - Row	D. Max.	D Max.	3 - Row	4 - Row
5/6	---	12	8	5 7/8	7 1/4	3 1/2	3 1/2	7/8	7/8
7/8	6/7/8	12	10	5 7/8	7 1/4	3 1/2	3 1/2	7/8	7/8
---	---	14	10	5 7/8	7 1/4	3 1/2	3 1/2	7/8	7/8
10	10	14	12 1/2	5 7/8	7 1/4	3 1/2	3 1/2	7/8	7/8
---	---	16	12 1/2	5 7/8	7 1/4	3 1/2	3 1/2	7/8	7/8
12	12	16	15	5 7/8	7 1/4	3 1/2	4	7/8	7/8
14	14	20	17 1/2	5 7/8	7 1/4	3 1/2	4	7/8	7/8
16	16	24	18	5 7/8	7 1/4	3 1/2	4	7/8	7/8
---	---	24	20	5 7/8	7 1/4	3 1/2	4	7/8	7/8
18/24	18/24	32	17 1/2	5 7/8	7 1/4	3 1/2	4	7/8	7/8
---	---	20	10	5 7/8	7 1/4	3 1/2	4	7/8	7/8
---	---	24	10	5 7/8	7 1/4	3 1/2	4	7/8	7/8
---	---	32	10	5 7/8	7 1/4	3 1/2	4	7/8	7/8

- NOTES:
1. Coil connections may be ordered as right hand or left hand, determined by facing the averaging flow sensor (inlet of unit) with the supply air hitting the back of your head.
 2. Coil is provided with slip and drive connections and is uninsulated.
 3. Standard coils are not recommended for steam.
 4. Fin spacing for all coils is 10 fins per inch.
 5. All coils are constructed using 1/2" O.D. staggered copper tubes, rippled aluminum fins and 20 gauge galvanized steel frame.

COIL DIMENSIONS (Listed in Millimeters)									
Unit & Size		Coil Size		C		3 - Row	4 - Row	O.D. Coil Connection	
AVW	ABW	A	B	3 - Row	4 - Row	D. Max.	D Max.	3 - Row	4 - Row
5/6	---	305	203	149	184	89	89	22	22
7/8	6/7/8	305	254	149	184	89	89	22	22
---	---	356	254	149	184	89	89	22	22
10	10	356	318	149	184	89	89	22	22
---	---	406	318	149	184	89	89	22	22
12	12	406	381	149	184	89	102	22	22
14	14	508	445	149	184	89	102	22	22
16	16	610	457	149	184	89	102	22	22
---	---	610	508	149	184	89	102	22	22
18/24	18/24	813	445	149	184	89	102	22	22
---	---	508	254	149	184	89	102	22	22
---	---	610	254	149	184	89	102	22	22
---	---	813	254	149	184	89	102	22	22