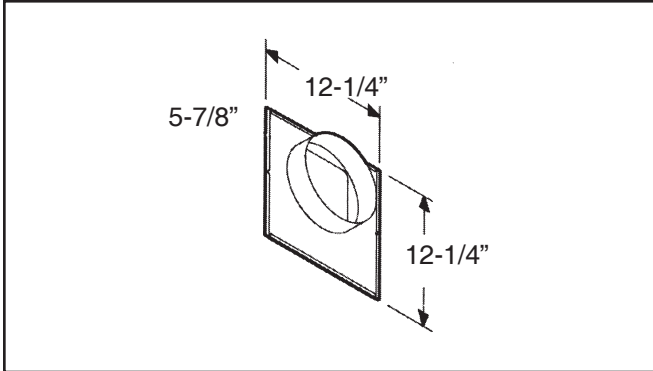


IP [English] Dimensions
Listed In Inches

CARNES COMPANY 448 S. Main St., P. O. Box 930040, Verona, WI 53593-0040 Phone: (608)845-6411 Fax: (608)845-6504 www.carnes.com

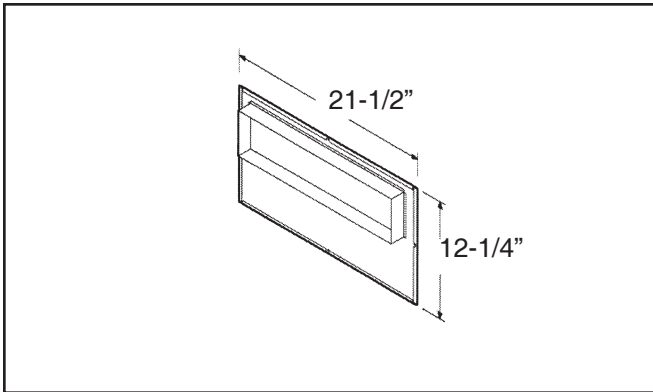
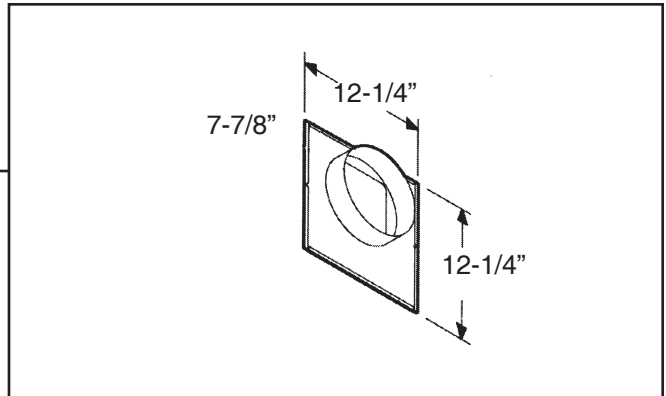


MODEL VXCBA A — IN-LINE ADAPTER KIT

- Galvanized steel.
- Fits VCDD 010C & 015C.
- 6" round duct connection.
- Mounting hardware included.

MODEL VXCBA B — IN-LINE ADAPTER KIT

- Galvanized steel.
- Fits VCDD 020C, 025C & 030C.
- 8" round duct connection.
- Mounting hardware included.



MODEL VXCBA C — IN-LINE ADAPTER KIT

- Galvanized steel.
- Fits VCDD 040C, 050C & 070C.
- 4-1/2" x 8-1/2" duct connection.
- Mounting hardware included.

MODEL VXCBA D — IN-LINE ADAPTER KIT

- Galvanized steel.
- Fits VCDD 090C & 150C.
- 8" x 1/2" duct connection.
- Mounting hardware included.

