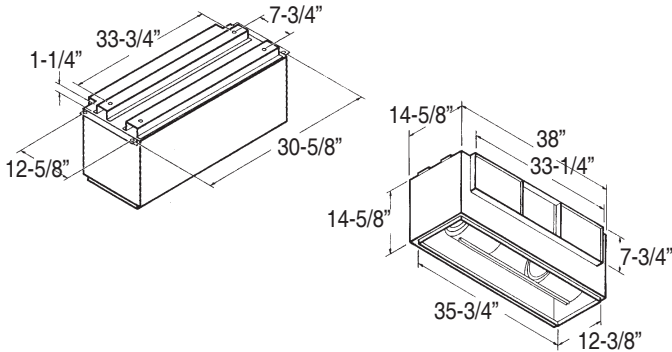
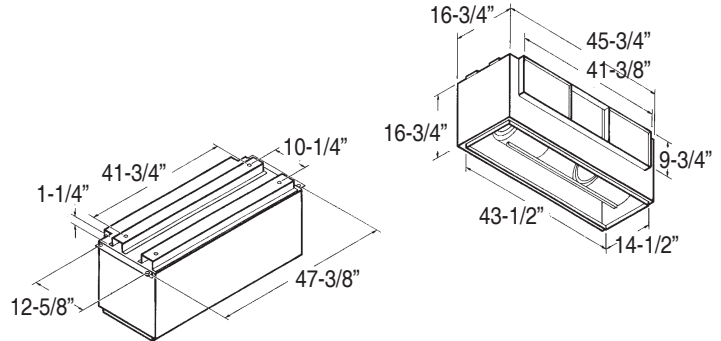


CARNES COMPANY 448 S. Main St., P. O. Box 930040, Verona, WI 53593-0040 Phone: (608)845-6411 Fax: (608)845-6504 www.carnes.com

VCDD 210I



VCDD 330I

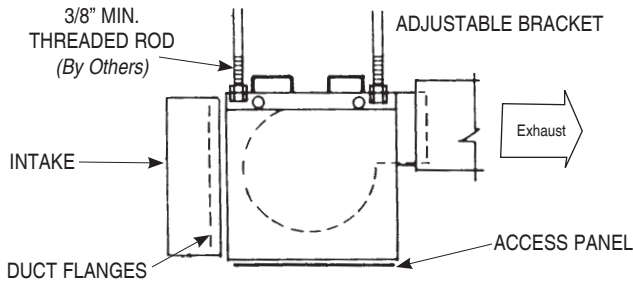


STANDARD CONSTRUCTION

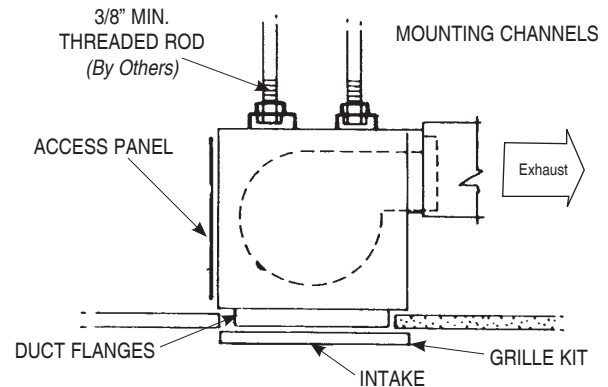
- Lifetime lubricated thermally protected motors.
- Twin double-inlet blower wheels.
- Durable heavy-gauge galvanized steel housing.
- Pre-wired plug disconnect. Field wiring to internal junction box.
- In-Line (Straight-thru) Configuration.

OPTIONAL FEATURES

- Grille kits (allows for ceiling fan or right angle configuration).
- Discharge damper kits.



IN-LINE APPLICATIONS



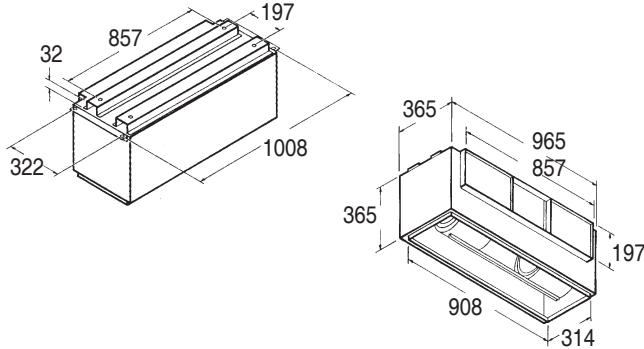
CONVERTED FOR RIGHT-ANGLE DISCHARGE CEILING VENTILATOR

FAN NO. LOCATION	QTY	MODEL/SIZE	CFM	SP	FAN RPM	SONES	HP	MOTOR ELECTRICAL	TYPE	ACCESSORIES

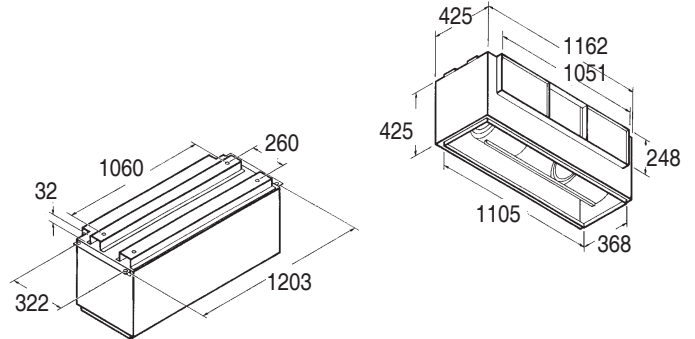
NOTES

PROJECT: _____ ARCHITECT: _____
 CONTRACTOR: _____ DATE: _____ SUBMITTED BY: _____ ENGINEER: _____

VCDD 210I



VCDD 330I

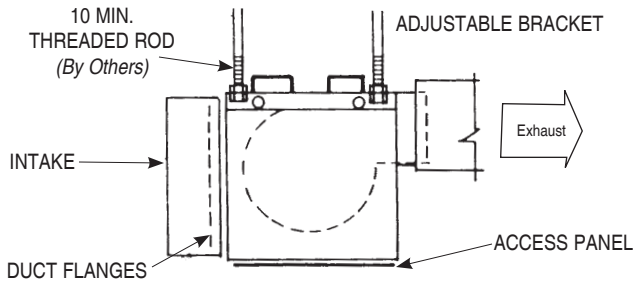


STANDARD CONSTRUCTION

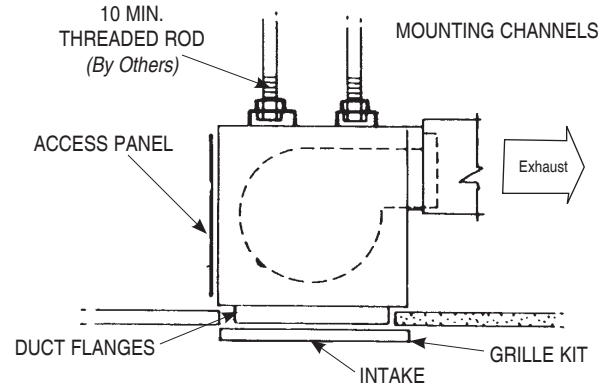
- Lifetime lubricated thermally protected motors.
- Twin double-inlet blower wheels.
- Durable heavy-gauge galvanized steel housing.
- Pre-wired plug disconnect. Field wiring to internal junction box.
- In-Line (Straight-thru) Configuration.

OPTIONAL FEATURES

- Grille kits (allows for ceiling fan or right angle configuration).
- Discharge damper kits.



IN-LINE APPLICATIONS



CONVERTED FOR RIGHT-ANGLE DISCHARGE CEILING VENTILATOR

FAN NO. LOCATION	QTY	MODEL/SIZE	CFM	SP	FAN RPM	SONES	HP	MOTOR ELECTRICAL	TYPE	ACCESSORIES

NOTES

PROJECT:				ARCHITECT:						
CONTRACTOR:			DATE:		SUBMITTED BY:			ENGINEER:		