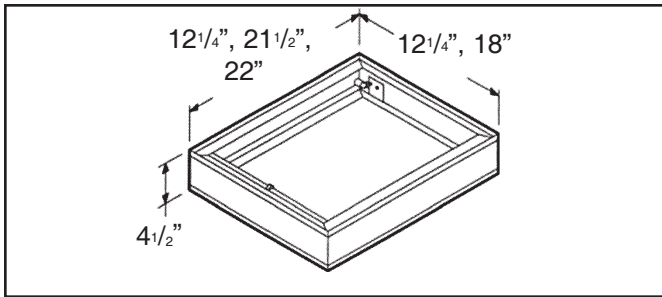


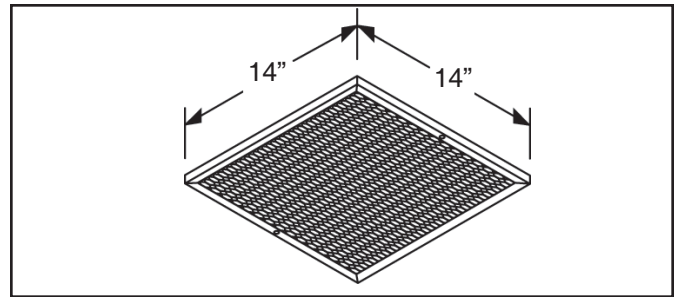
IP [English] Dimensions
Listed In Inches

CARNES COMPANY 448 S. Main St., P. O. Box 930040, Verona, WI 53593-0040 Phone: (608)845-6411 Fax: (608)845-6504 www.carnes.com



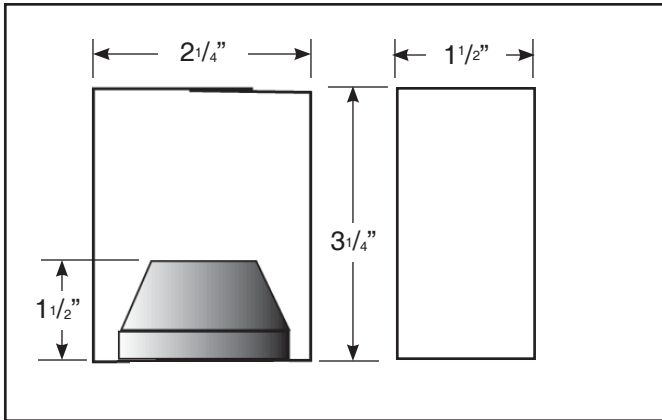
MODEL VXCBQ — RADIATION DAMPER

- UL Listed - classified for use in a 4-hour fire-rated ceiling.
- Galvanized steel.
- High temperature, non-asbestos, reinforced fiber thermal fabric.
- 165°F fusible link.
- VXCBQA (12-1/4" x 12-1/4") fits VCDD 010C - 030C.
- VXCBQB (21-1/2" x 18") fits VCDD 040C - 070C.
- VXCBQC (22" x 18") fits VCDD 090C & VCDD 150C.



MODEL VXCBGF — METAL GRILLE KIT

- Steel, painted white enamel.
- Mounting screws included.
- Fits VCDD 010C - 030C.



MODEL VXIAHE — HANGING VIBRATION ISOLATORS

- Set of 4.
- Fits all sizes (005-330).