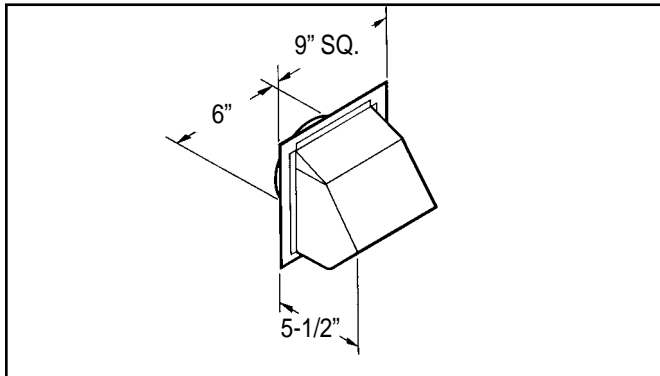
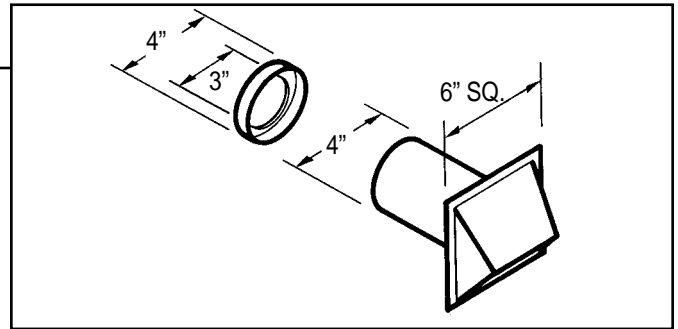


Imperial [IP] Dimensions
Listed In Inches

CARNES COMPANY, 448 S. Main St., P. O. Box 930040, Verona, WI. 53593-0040 Phone: 608/845-6411 Fax: 608/845-6470 carnes@carnes.com www.carnes.com _____

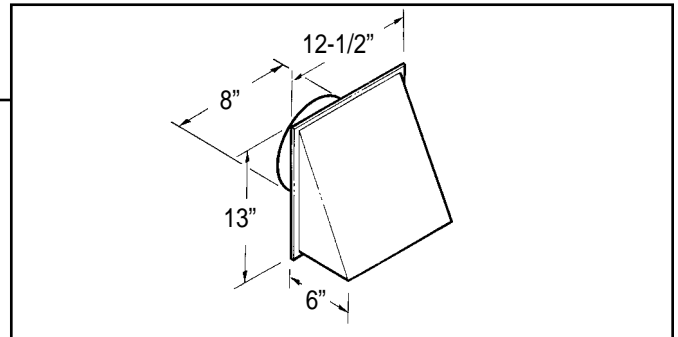
VXCBWL

- Aluminum - natural finish.
- Built-in backdraft damper.
- For 4" round duct (4" to 3" transition included).
- For use with VCDD 005-008.



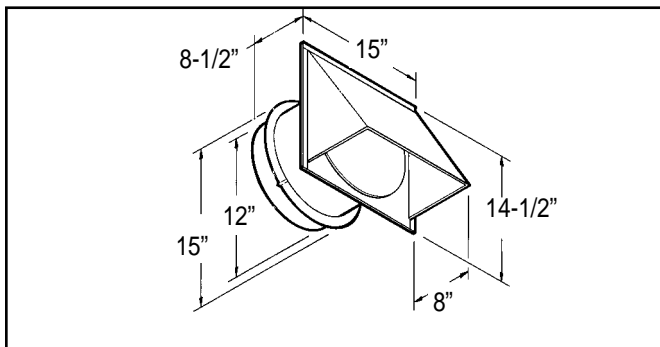
VXCBWK

- Aluminum - natural finish.
- Built-in backdraft damper and birdscreen.
- For 6" round duct.
- For use with VCDD 010-015.



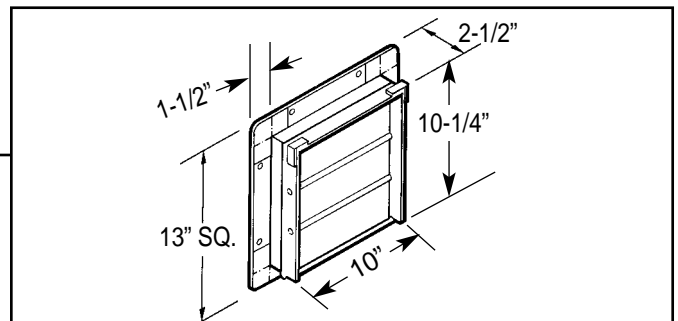
VXCBWM

- Aluminum - natural finish.
- Built-in backdraft damper.
- For 8" round duct.
- For use with VCDD 020-030.



VXCBWS

- Aluminum - natural finish.
- Built-in backdraft damper and birdscreen.
- For use with VCDD 040-150.
(Transition may be required)



VXCBWT

- Steel frame with aluminum louvers.
- 10" round duct connection.
- For use with VCDD 040-150.
(Transition may be required)