

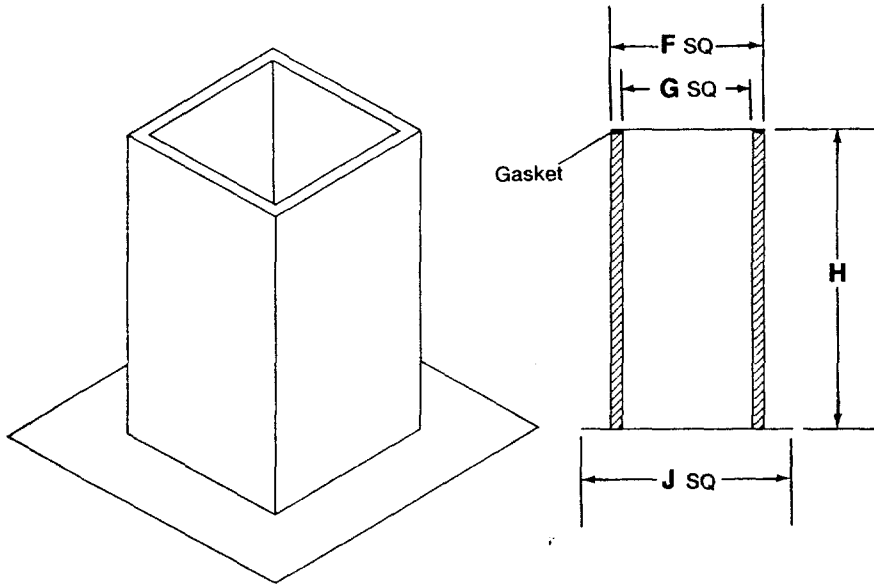
STANDARD DIMENSIONS
(Metric on Reverse Size)

CARNES COMPANY, 448 S. Main St., P. O. Box 930040, Verona, WI. 53593-0040 Phone: 608/845-6411 Fax: 608/845-6470

PROJECT: _____ DATE: _____

CONTRACTOR: _____ ARCHITECT: _____

SUBMITTED BY: _____ ENGINEER: _____



CONSTRUCTION

- 18 ga. galvanized steel (*Standard*).
- 16 ga. (.050) aluminum (*Optional*).
- Continuously welded corners.
- Mitered and welded flanges — 3½" wide.
- Rubber or neoprene gasket.
- 1½" 3 lb./ft.³ fiberglass insulation.

NOTE: OD equals fan cap minus 1/2".

DIMENSIONS LISTED IN INCHES

Exhauster Size	F SQ. Curb O. D.	G SQ. Curb I. D.	Max. Roof Opening	J SQ. Flange O. D.	H Height	NOTES
06	15	12	12	22		
08	15	12	12	22		
10	17	14	14	24		
12	17	14	14	24		
15	20	17	17	27		
18	24½	21½	21½	31½		
21	27½	24½	24½	34½		
24	30½	27½	27½	37½		
30	39½	36½	36½	46½		
36	45½	42½	42½	52½		
42	53½	50½	50½	60½		
48	57½	54½	54½	64½		
54	63½	60½	60½	70½		

NOTES: