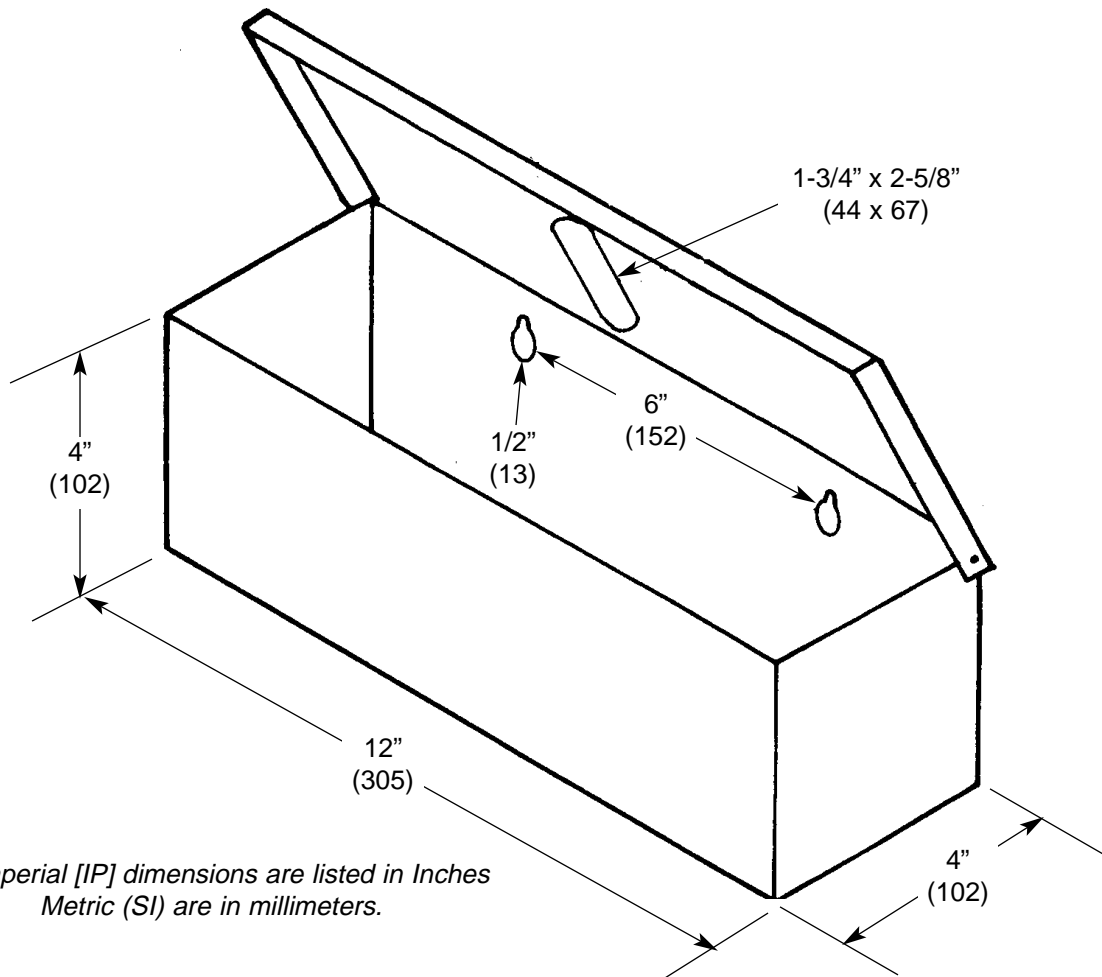


Imperial [IP] Dimensions
Metric (SI) in Parentheses

CARNES COMPANY, 448 S. Main St., P. O. Box 930040, Verona, WI 53593-0040 Phone (608) 845.6411 Fax: (608) 845.6470 carnes@carnes.com

For Use with Model VRBK Restaurant Exhaust Fans



All Imperial [IP] dimensions are listed in Inches
Metric (SI) are in millimeters.

STANDARD FEATURES:

- .063 (1.6) Aluminum.
- Hinged Cover.
- Welded, watertight corners.
- Mounts to curb cap, under drain opening.
- Ships loose.